

Part No:

# HT65M



## 1 Watt RF Load Termination with 1.85 Male Connector DC - 65 GHz

The HASCO **HT65M** is an RF termination (also called RF load or dummy load) that operates from DC to 65 GHz and handles up to 1 Watt (CW). Our 1.85mm termination/load has a male gender. HT65M 1.85mm termination offers 1.45:1 max VSWR.

The **HT65M** is RoHS Compliant. 

RF load/terminations are indispensable components in many RF, microwave and millimeter wave systems where signal reflection from unused ports can potentially damage the device or reduce the signal integrity. By using a termination on an unused port with a matched load (dummy load), the incident energy will be absorbed with minimal reflection. These termination components are commonly used to terminate devices such as couplers, circulators, and switches. They are also widely used in measurement systems to ensure accurate results. HASCO offers a huge selection of RF, microwave and millimeter wave terminations up to 65 GHz with excellent performance over the entire operating range and power handling capabilities up to 800 Watt (CW).

### Electrical

• Frequency Range	DC - 65 GHz
• VSWR	DC - 18 GHz..... 1.20:1 18 - 40 GHz..... 1.30:1 40 - 65 GHz..... 1.45:1
• Impedance	50 Ohms
• Power	1 Watt Average @ 25°C Derated Linearly to <10% @ 100°C

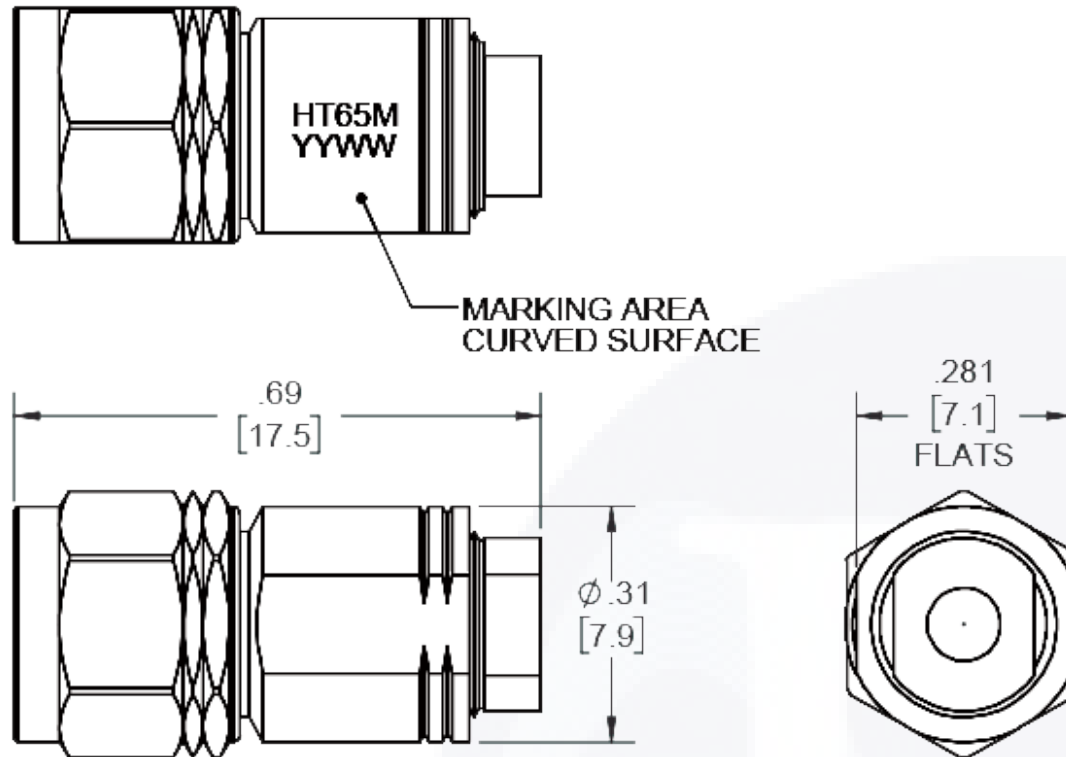
### Environmental Data

• Temperature Range	-55°C - +100°C
---------------------	----------------


### Material

• Insulator/Dielectric	Teflon
• Center Contact	Beryllium Copper, Gold Plated IAW MIL-PRF-39012
• Housing	Passivated Stainless Steel, IAW ASTM-A484 & ASTM-A582, Alloy 303, Cond. A

To view online, go to: <https://www.hasco-inc.com/terminations/1-watt-rf-load-termination-with-1-85mm-male-connector-dc-65-ghz/>



To view online, go to: <https://www.hasco-inc.com/terminations/1-watt-rf-load-termination-with-1-85mm-male-connector-dc-65-ghz/>

LTR	DESCRIPTION	DATE	APPR.	DRAWN BY: ABC	CHECKED BY: ABC	 <p>5214 Bonsai Street • Moorpark, CA 93021 (888) 498-3242 • sales@hasco-inc.com <a href="http://www.hasco-inc.com">www.hasco-inc.com</a></p>
-	RELEASE	12/16	TAC	APPROVED BY: ABC		
				THESE DRAWINGS AND SPECIFICATIONS ARE THE PROPERTY OF HASCO COMPONENTS AND SHALL NOT BE REPRODUCED, COPIED NOR USED - IN WHOLE OR IN PART - AS THE BASIS FOR THE MANUFACTURE OR SALE OF OTHER ITEMS WITHOUT THE EXPRESS, WRITTEN PERMISSION OF HASCO COMPONENTS.		MATERIALS: SEE DATA SHEET
						CAGE CODE: 0T8L4
						SCALE: N/A
						SIZE: A
						FINISHES: SEE DATA SHEET
						PART NO./DRAWING NO. <b>HT65M</b>
						REV: -
THIS DRAWING IS A CONTROLLED DOCUMENT						