

Part No:

HWLPT15-03-ER



WR-15 Low Power Millimeter Waveguide Termination, 0.3 W Average - 50 GHz to 75 GHz

Electrical

- Frequency Range 50 - 75 GHz
- VSWR 1.05:1 Max
- Average Power 0.3 W
- Waveguide UG-385/U
- Length 1.5 in

Material

- Waveguide Material Copper
- Flange Material Gold Plated Brass

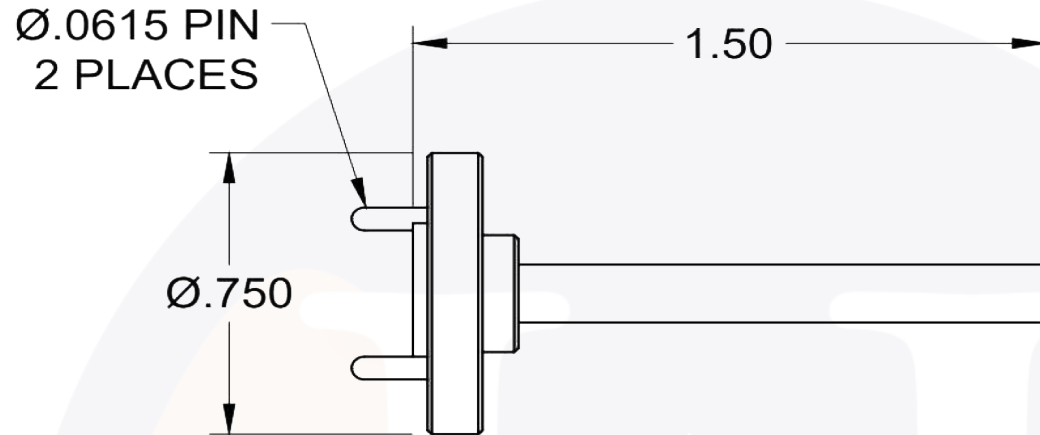
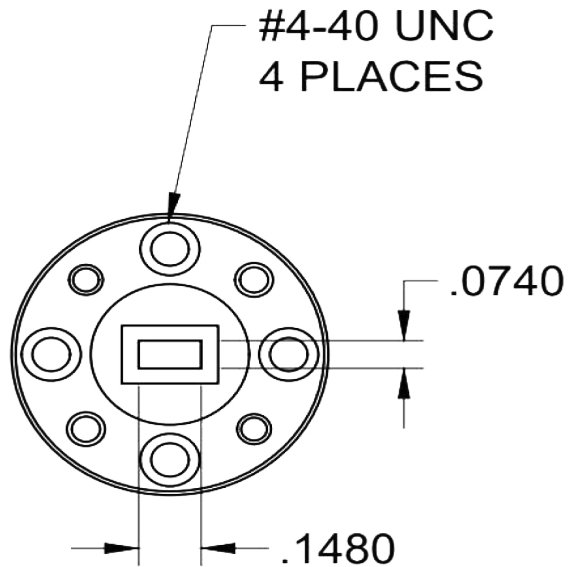
HWLPT15-03-ER is a general purpose WR-15 millimeter waveguide termination from HASCO. This waveguide termination will operate from 50 to 75 GHz. A Millimeter Waveguide Termination is a passive RF device specifically designed to prevent RF signals from reflecting back from open-ended or unused waveguide ports. Millimeter Waveguide Terminations dissipate RF energy by producing heat energy. HASCO offers a series of waveguide terminations covering the waveguide sizes WR-10, WR-12, WR-15, WR-19, WR-22, WR-28, WR-34, WR-42, WR-51, WR-62, WR-75, WR-90 and WR-112.

The HWLPT15-03-ER is RoHS compliant.



HASCO stocks an extensive selection of RF and Microwave between-series, in-series, right angle and low PIM adapters.

WR-15 Low Power Millimeter Waveguide Termination | 50 - 75 GHz | Outline Drawing



| | | | | | |
|---------------------------------------|-------------|------|-------|--|-----------------|
| LTR | DESCRIPTION | DATE | APPR. | DRAWN BY: NS | |
| - | RELEASE | 7/23 | TC | REVIEWED BY: JS | APPROVED BY: TC |
| | | | | THESE DRAWINGS AND SPECIFICATIONS ARE THE PROPERTY OF HASCO COMPONENTS AND SHALL NOT BE REPRODUCED, COPIED NOR USED - IN WHOLE OR IN PART - AS THE BASIS FOR THE MANUFACTURE OR SALE OF OTHER ITEMS WITHOUT THE EXPRESS, WRITTEN PERMISSION OF HASCO COMPONENTS. | |
| | | | | | |
| | | | | | |
| | | | | | |
| | | | | | |
| THIS DRAWING IS A CONTROLLED DOCUMENT | | | | | |



5214 Bonsai Street • Moorpark, CA 93021
(888) 498-3242 • sales@hasco-inc.com
www.hasco-inc.com

MATERIALS:

SEE DATA SHEET

CAGE CODE:

0T8L4

SCALE:

N/A

SIZE:

A

FINISHES:

SEE DATA SHEET

PART NO./DRAWING NO.

HWLPT15-03-ER

REV:

-