

Part No:

HWLPT19-2-ER



WR-19 Low Power Millimeter Waveguide Termination, 2 W Average - 40 GHz to 60 GHz



Electrical

- Frequency Range 40 - 60 GHz
- VSWR 1.05:1 Max
- Average Power 2 W
- Waveguide UG-383/U-M
- Length 1.75 in

Material

- Waveguide Material Copper
- Flange Material Gold Plated Brass

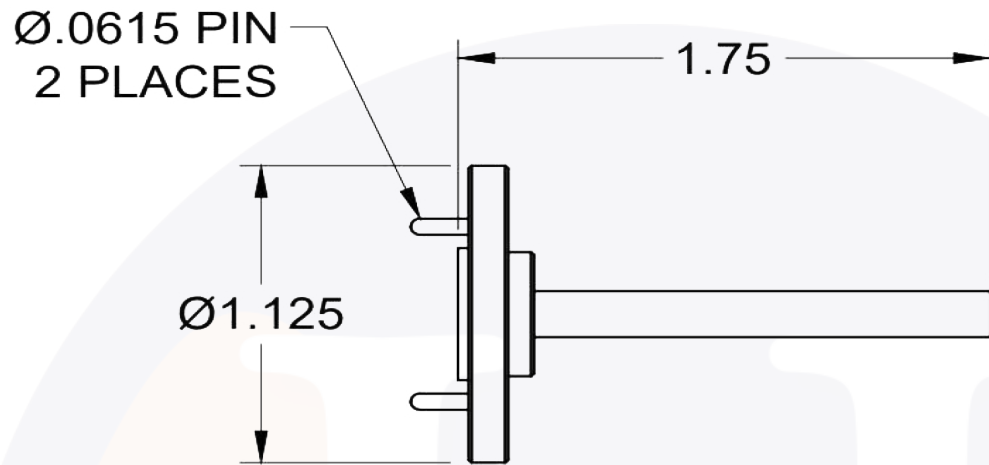
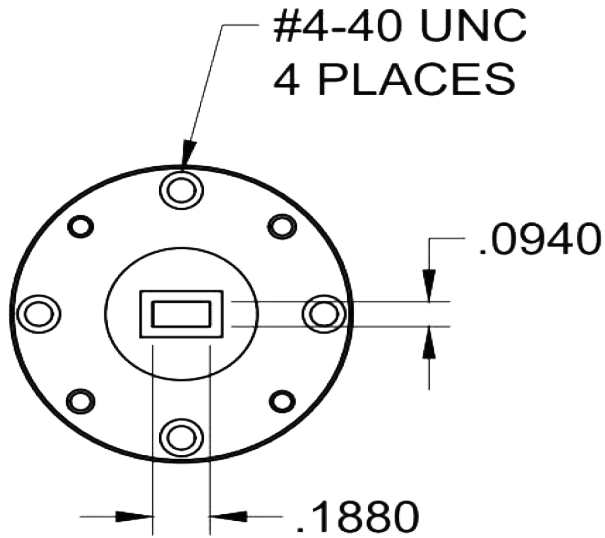
HWLPT19-2-ER is a general purpose WR-19 millimeter waveguide termination from HASCO. This waveguide termination will operate from 40 to 60 GHz. A Millimeter Waveguide Termination is a passive RF device specifically designed to prevent RF signals from reflecting back from open-ended or unused waveguide ports. Millimeter Waveguide Terminations dissipate RF energy by producing heat energy. HASCO offers a series of waveguide terminations covering the waveguide sizes WR-10, WR-12, WR-15, WR-19, WR-22, WR-28, WR-34, WR-42, WR-51, WR-62, WR-75, WR-90 and WR-112.

The HWLPT19-2-ER is RoHS compliant.



HASCO stocks an extensive selection of RF and Microwave between-series, in-series, right angle and low PIM adapters.

WR-19 Low Power Millimeter Waveguide Termination | 40 - 60 GHz | Outline Drawing



LTR	DESCRIPTION	DATE	APPR.	DRAWN BY: NS	
-	RELEASE	7/23	TC	REVIEWED BY: JS	APPROVED BY: TC
				THESE DRAWINGS AND SPECIFICATIONS ARE THE PROPERTY OF HASCO COMPONENTS AND SHALL NOT BE REPRODUCED, COPIED NOR USED - IN WHOLE OR IN PART - AS THE BASIS FOR THE MANUFACTURE OR SALE OF OTHER ITEMS WITHOUT THE EXPRESS, WRITTEN PERMISSION OF HASCO COMPONENTS.	
THIS DRAWING IS A CONTROLLED DOCUMENT					



5214 Bonsai Street • Moorpark, CA 93021
(888) 498-3242 • sales@hasco-inc.com
www.hasco-inc.com

MATERIALS: SEE DATA SHEET	CAGE CODE: 0T8L4	SCALE: N/A	SIZE: A
FINISHES: SEE DATA SHEET	PART NO./DRAWING NO. HWLPT19-2-ER		REV: -