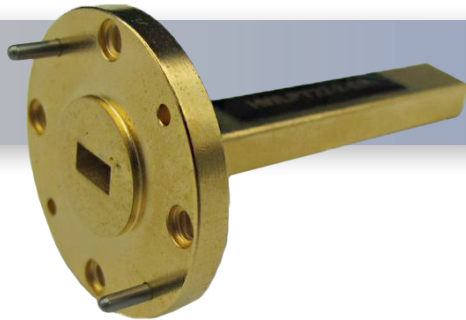


Part No:

HWLPT22-2-ER



WR-22 Low Power Millimeter Waveguide Termination, 2 W Average - 33 GHz to 50 GHz

Electrical

- Frequency Range 33 - 50 GHz
- VSWR 1.05:1 Max
- Average Power 2 W
- Waveguide UG-383/U
- Length 2 in

Material

- Waveguide Material Copper
- Flange Material Gold Plated Brass

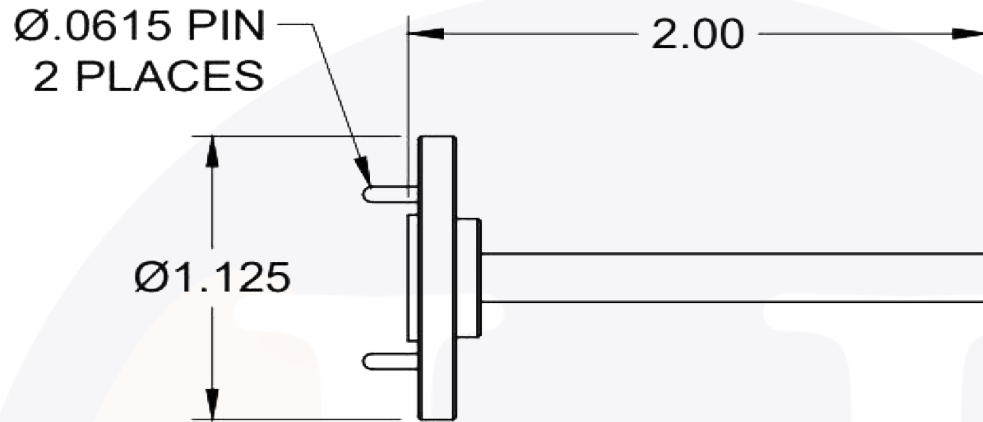
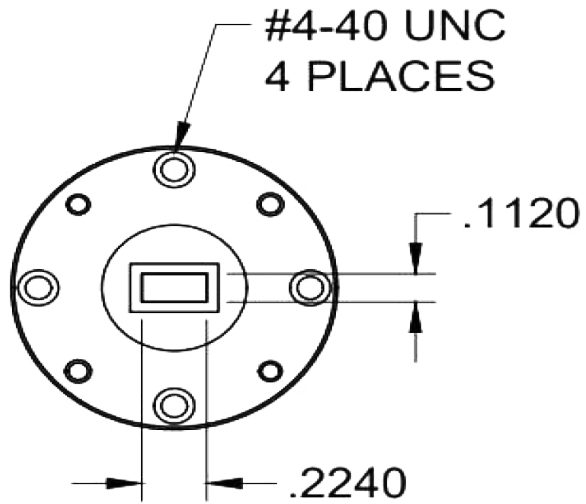
HWLPT22-2-ER is a general purpose WR-22 millimeter waveguide termination from HASCO. This waveguide termination will operate from 33 to 50 GHz. A Millimeter Waveguide Termination is a passive RF device specifically designed to prevent RF signals from reflecting back from open-ended or unused waveguide ports. Millimeter Waveguide Terminations dissipate RF energy by producing heat energy. HASCO offers a series of waveguide terminations covering the waveguide sizes WR-10, WR-12, WR-15, WR-19, WR-22, WR-28, WR-34, WR-42, WR-51, WR-62, WR-75, WR-90 and WR-112.

The HWLPT22-2-ER is RoHS compliant.



HASCO stocks an extensive selection of RF and Microwave between-series, in-series, right angle and low PIM adapters.

WR-22 Low Power Millimeter Waveguide Termination | 33 - 50 GHz | Outline Drawing



LTR	DESCRIPTION	DATE	APPR.	DRAWN BY: NS	
-	RELEASE	7/23	TC	REVIEWED BY: JS	APPROVED BY: TC
				THESE DRAWINGS AND SPECIFICATIONS ARE THE PROPERTY OF HASCO COMPONENTS AND SHALL NOT BE REPRODUCED, COPIED NOR USED - IN WHOLE OR IN PART - AS THE BASIS FOR THE MANUFACTURE OR SALE OF OTHER ITEMS WITHOUT THE EXPRESS, WRITTEN PERMISSION OF HASCO COMPONENTS.	
THIS DRAWING IS A CONTROLLED DOCUMENT					



5214 Bonsai Street • Moorpark, CA 93021
(888) 498-3242 • sales@hasco-inc.com
www.hasco-inc.com

MATERIALS:
SEE DATA SHEET

CAGE CODE:
0T8L4

SCALE:
N/A

SIZE:
A

FINISHES:
SEE DATA SHEET

PART NO./DRAWING NO.

HWLPT22-2-ER

REV:
-