

Part No:

HWLPT42-2-ES



*WR-42 Low Power Waveguide Termination, 2 W Average,
1 KW Max - 18 GHz to 26.5 GHz*

Electrical

- Frequency Range 18 - 26.5 GHz
- VSWR 1.25:1 Max
- Average Power 2 W
- Peak Power 1 KW
- Temperature Range -25°C to 85°C

Material

- Material 6061 Aluminum Alloy
- Finish Clear Chem Film

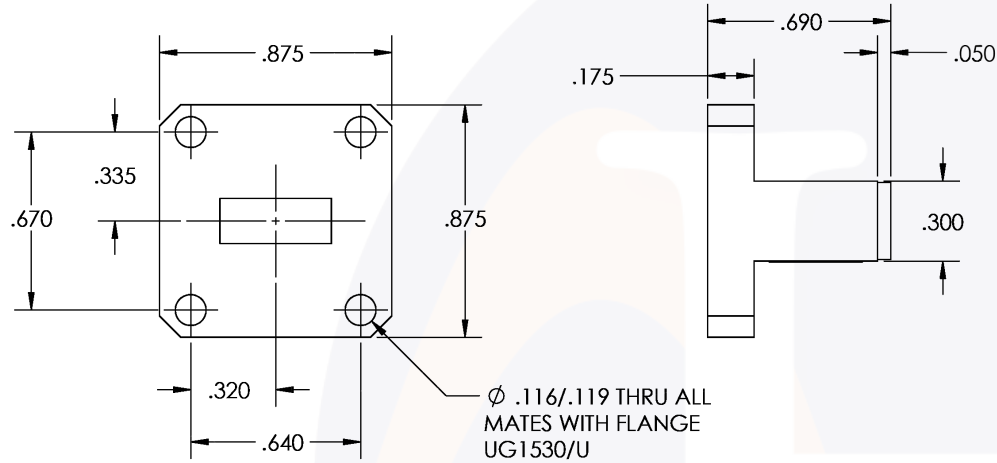
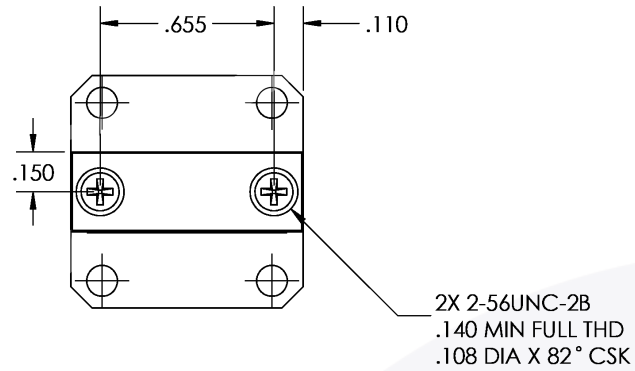
HWLPT42-2-ES is a general purpose WR-42 waveguide termination from HASCO. This waveguide termination will operate from 18 to 26.5 GHz. A Waveguide Termination is a passive RF device specifically designed to prevent RF signals from reflecting back from open-ended or unused waveguide ports. Waveguide Terminations dissipate RF energy by producing heat energy. HASCO offers a series of waveguide terminations covering the waveguide sizes WR-10, WR-12, WR-15, WR-19, WR-22, WR-28, WR-34, WR-42, WR-51, WR-62, WR-75, WR-90 and WR-112.

The HWLPT42-2-ES is RoHS compliant.



HASCO stocks an extensive selection of RF and Microwave between-series, in-series, right angle and low PIM adapters.

WR-42 Low Power Waveguide Termination | 18 - 26.5 GHz | Outline Drawing



LTR	DESCRIPTION	DATE	APPR.	DRAWN BY: NS	
-	RELEASE	7/23	TC	REVIEWED BY: JS	APPROVED BY: TC
				THESE DRAWINGS AND SPECIFICATIONS ARE THE PROPERTY OF HASCO COMPONENTS AND SHALL NOT BE REPRODUCED, COPIED NOR USED - IN WHOLE OR IN PART - AS THE BASIS FOR THE MANUFACTURE OR SALE OF OTHER ITEMS WITHOUT THE EXPRESS, WRITTEN PERMISSION OF HASCO COMPONENTS.	
THIS DRAWING IS A CONTROLLED DOCUMENT					



5214 Bonsai Street • Moorpark, CA 93021
(888) 498-3242 • sales@hasco-inc.com
www.hasco-inc.com

MATERIALS:
SEE DATA SHEET

CAGE CODE:
0T8L4

SCALE:
N/A

SIZE:
A

FINISHES:
SEE DATA SHEET

PART NO./DRAWING NO.

HWLPT42-2-ES

REV:
-