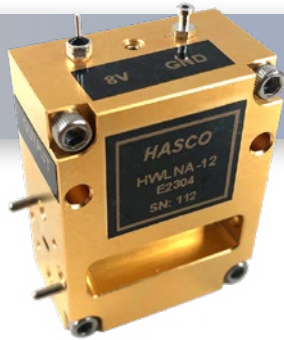


Part No:

# HWLNA10-W10045



## Low Noise Amplifier, WR-10, W-Band, 75 to 110 GHz

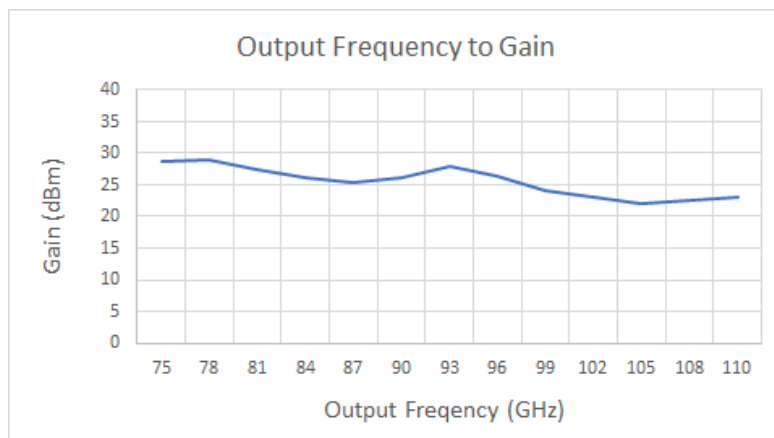
### Electrical

- Output Frequency 75 ~ 110 GHz
- Gain 75-105 GHz: 20dB Typ.  
106-110 GHz: Gain may drop slightly  
110 GHz: 10dB Typ.
- Noise Factor 4.5dB Typ.
- DC +8V @ 100 mA Typ. or +7 to +12V

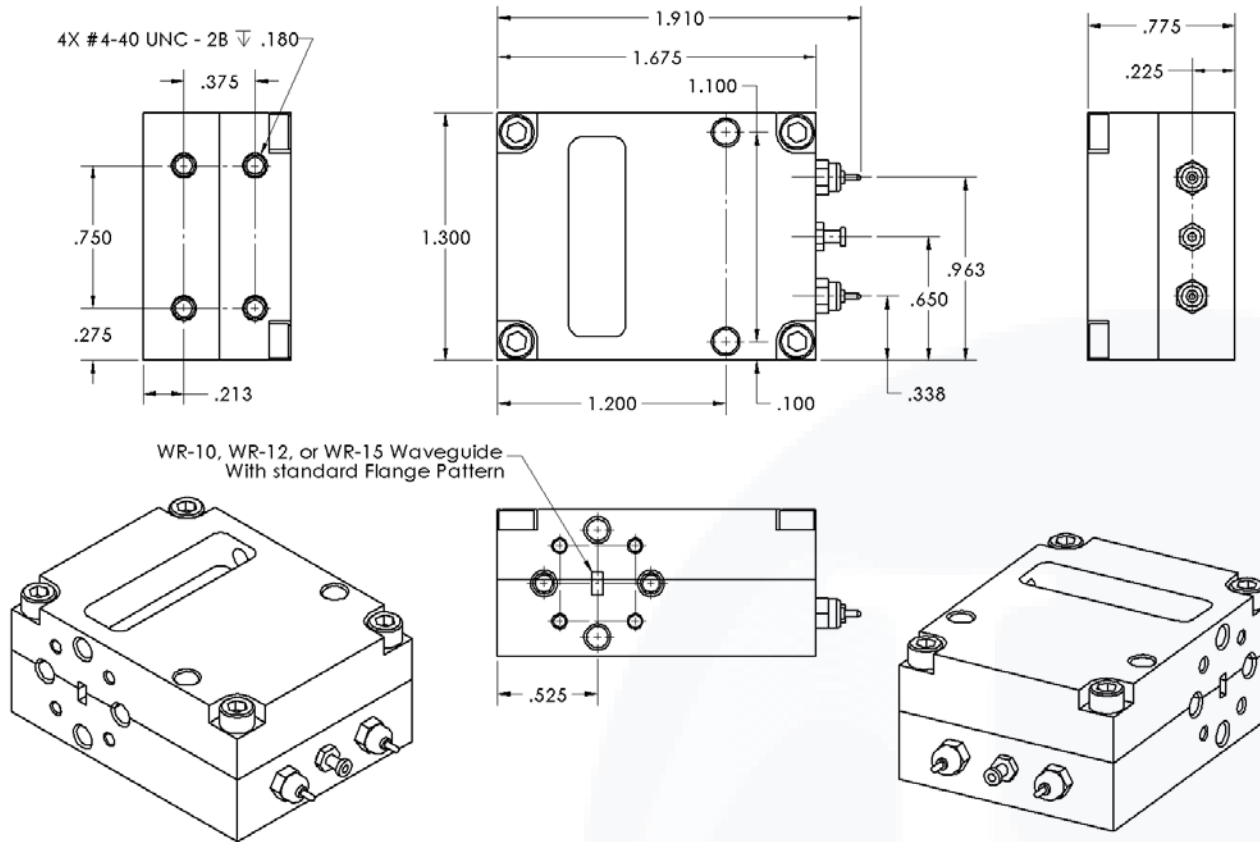
### Material

- Waveguide Gold Plated Aluminum
- Waveguide In/Out WR-10, UG-387/U-M

The HWLNA10-W10045 is a Full W-Band Low Noise Amplifier with a gain of 20 dB from 75-110 GHz. The Full Band Noise Figure is 4.5 dB typical. This LNA Bias operates with 7-12VDC. Internal reverse bias protection ensures reliability. This is an excellent full W-Band LNA for receivers, Down-Converters, and general lab use.



# Low Noise Amplifier, WR-10, W-Band | 75 ~ 110 GHz | Outline Drawing



LTR	DESCRIPTION	DATE	APPR.	DRAWN BY: <i>JMS</i>	CHECKED BY: <i>TAC</i>
-	RELEASE	05/20	TAC	APPROVED BY: <i>TAC</i>	
				THESE DRAWINGS AND SPECIFICATIONS ARE THE PROPERTY OF HASCO COMPONENTS AND SHALL NOT BE REPRODUCED, COPIED NOR USED - IN WHOLE OR IN PART - AS THE BASIS FOR THE MANUFACTURE OR SALE OF OTHER ITEMS WITHOUT THE EXPRESS, WRITTEN PERMISSION OF HASCO COMPONENTS.	
THIS DRAWING IS A CONTROLLED DOCUMENT					



5214 Bonsai Street • Moorpark, CA 93021  
 (888) 498-3242 • sales@hasco-inc.com  
[www.hasco-inc.com](http://www.hasco-inc.com)

MATERIALS: <b>SEE DATA SHEET</b>	CAGE CODE: <b>0T8L4</b>	SCALE: <b>N/A</b>	SIZE: <b>A</b>
FINISHES: <b>SEE DATA SHEET</b>	PART NO./DRAWING NO. <b>HWLNA10-W10045</b>		REV: <b>-</b>