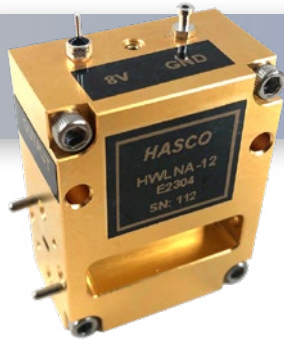


Part No:

HWLNA15-V2004



Low Noise Amplifier, WR-15, V-Band, 53 to 65 GHz

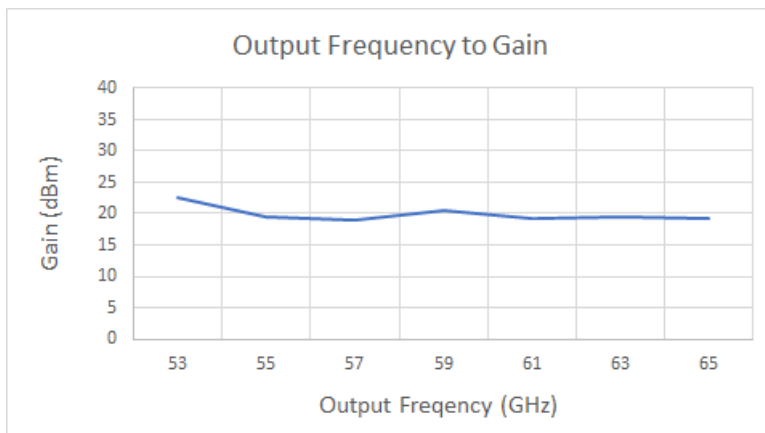
Electrical

- Output Frequency 53 ~ 65 GHz
- Gain 20dB Typ.
- Noise Factor 4dB Typ.
- DC +8V @ 100 mA Typ. or +7 to +12V

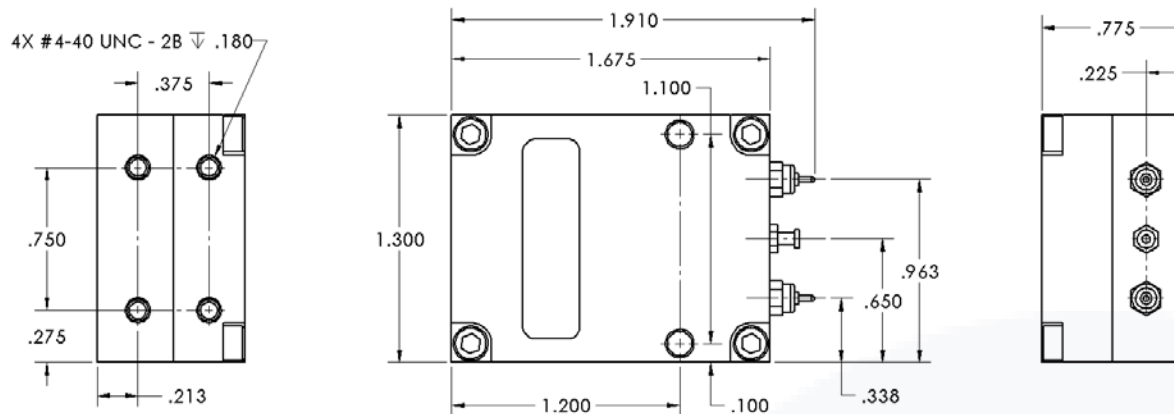
Material

- Waveguide Gold Plated Aluminum
- Waveguide In/Out WR-15, UG-385/U

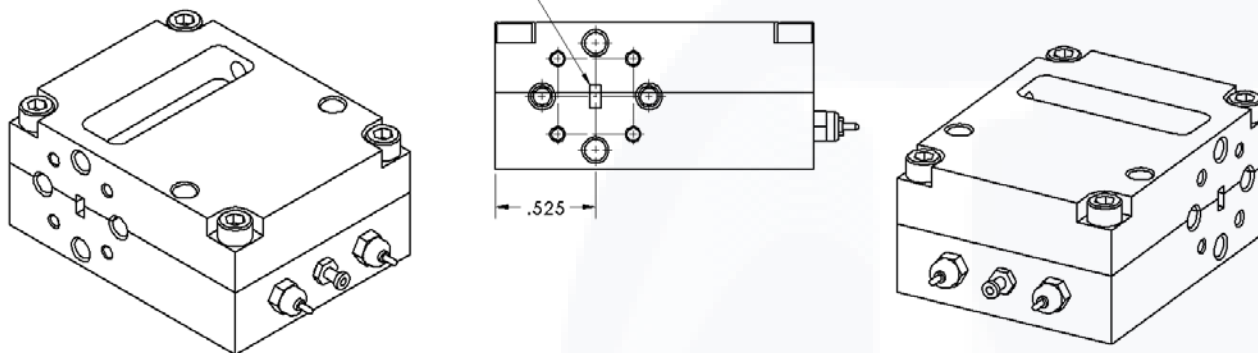
The HWLNA15-V2004 is a Full V-Band Low Noise Amplifier with a gain of 20 dB from 53 to 65 GHz. The Full Band Noise Figure is 4 dB typical. This LNA Bias operates with 7-12VDC. Internal reverse bias protection ensures reliability. This is an excellent full V-Band LNA for receivers, Down-Converters, and general lab use.



Low Noise Amplifier, WR-15, V-Band | 53 ~ 65 GHz | Outline Drawing



WR-10, WR-12, or WR-15 Waveguide
With standard Flange Pattern



LTR	DESCRIPTION	DATE	APPR.	DRAWN BY: JMS	CHECKED BY: TAC
-	RELEASE	05/20	TAC	APPROVED BY: TAC	
				THESE DRAWINGS AND SPECIFICATIONS ARE THE PROPERTY OF HASCO COMPONENTS AND SHALL NOT BE REPRODUCED, COPIED NOR USED - IN WHOLE OR IN PART - AS THE BASIS FOR THE MANUFACTURE OR SALE OF OTHER ITEMS WITHOUT THE EXPRESS, WRITTEN PERMISSION OF HASCO COMPONENTS.	
THIS DRAWING IS A CONTROLLED DOCUMENT					



5214 Bonsai Street • Moorpark, CA 93021
(888) 498-3242 • sales@hasco-inc.com
www.hasco-inc.com

MATERIALS:

SEE DATA SHEET

FINISHES:

SEE DATA SHEET

CAGE CODE:

0T8L4

SCALE:

N/A

SIZE:

A

PART NO./DRAWING NO.

HWLNA15-V2004

REV:

-