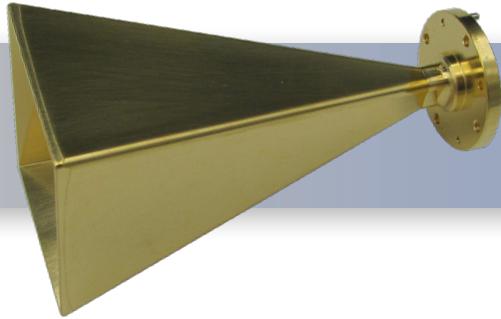


Part No:

HWSGH19-23-ER



WR-19 Rectangular Standard Gain Horn Antenna 23 dBi Typical Gain, U Band – 40 to 60 GHz

HWSGH19-23-ER is an U-band WR-19 waveguide standard rectangular gain horn antenna that operates from 40 GHz to 60 GHz. The antenna offers 23 dBi typical gain, precisely electroformed over a mandrel and gold plated. These horns have a pyramidal shape with a rectangular aperture. The standard gain horn antenna supports linear polarized waveforms. The input of this antenna is a WR-19 waveguide with UG-383/U MOD flange. The standard gain horn antenna is used for antenna range calibration and general-purpose system set ups.

Horns with different gain values can be special ordered. Rectangular Horns are available in sizes WR3 to WR42.

Applications

- Low F/D Antennas
- Surveillance Systems
- Offset Feed Antenna

HASCO's Standard Rectangular Gain Horns are used in a wide variety of applications, such as antenna testing and RF radiation pattern measurement. HASCO gain horns function as a calibration standard or as reference for antenna gain measurement. They are also used as feed horns for lens and reflector antennas or stand-alone antennas in subsystems.

Electrical

• Impedence	50 Ohms
• Frequency Range	40-60 GHz
• VSWR	1.10:1 Max
• Input	WR-19 Waveguide
• Flange	UG-383/U MOD
• Series	Directional
• Polarity	Vertical
• Temperature Range	-55°C - 85°C

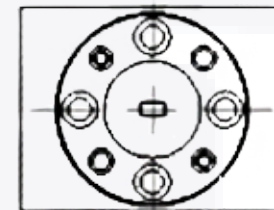
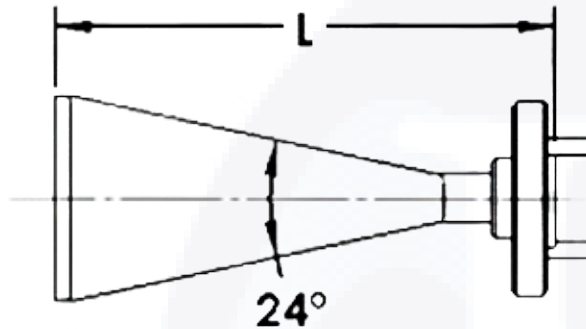
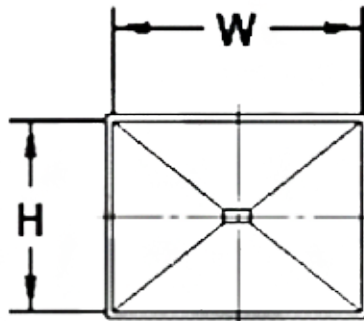
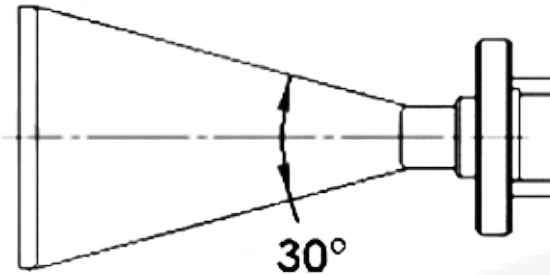
Mechanical

• Body Material	Gold Plated Electroformed Copper
• WG A DIM	0.1880 inch
• WG B DIM	0.0940 inch

Note: All plating thickness values are in micro-inches.

WR-19 Rectangular Standard Gain Horn Antenna, 23 dBi Typical Gain, U Band | 40-60 GHz | Outline Drawing

Measurement (inches)	
Length	3.480
Width	1.821
Height	1.390
Flange	1.125 Round



LTR	DESCRIPTION	DATE	APPR.	DRAWN BY: NS	CHECKED BY: JMS
-	RELEASE	07/22	TAC	APPROVED BY: TAC	
				THESE DRAWINGS AND SPECIFICATIONS ARE THE PROPERTY OF HASCO COMPONENTS AND SHALL NOT BE REPRODUCED, COPIED NOR USED - IN WHOLE OR IN PART - AS THE BASIS FOR THE MANUFACTURE OR SALE OF OTHER ITEMS WITHOUT THE EXPRESS, WRITTEN PERMISSION OF HASCO COMPONENTS.	
THIS DRAWING IS A CONTROLLED DOCUMENT					



5214 Bonsai Street • Moorpark, CA 93021
(888) 498-3242 • sales@hasco-inc.com
www.hasco-inc.com

MATERIALS: SEE DATA SHEET	CAGE CODE: 0T8L4	SCALE: N/A	SIZE: A
FINISHES: SEE DATA SHEET	PART NO./DRAWING NO. HWSGH19-23-ER		REV: B