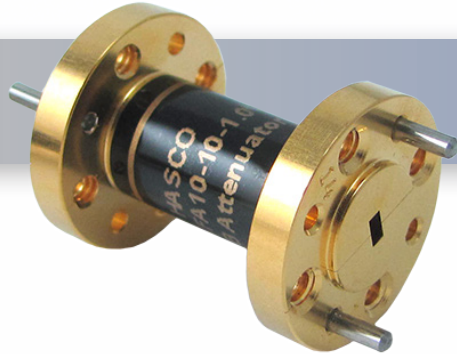


Part No:

HWFA10-06-1.0



*6 dB - WR-10, Millimeter Waveguide, W-Band
Fixed Attenuator, Rated to 0.3 Watts, 75 GHz to 110 GHz*

The HASCO WR-10 Millimeter Waveguide Fixed Attenuator **HWFA10-06-1.0** is rated to 0.3 Watts and operates from 75 GHz to 110 GHz. This W-Band, WR-10 attenuator has a fixed attenuation value of 6 dB at center frequency and is constructed with a round UG-387/U-M Flange.

A Millimeter Waveguide Attenuator is a passive RF device specifically designed to reduce the power of a signal without affecting or reducing the waveform of the signal. Millimeter Waveguide Fixed Attenuators have a fixed level of attenuation - any signal input in to the system will be attenuated by the waveguide. HASCO offers a series of rectangular waveguide attenuators covering the waveguide sizes WR-10, WR-12 and WR-15 and fixed attenuation values of 3 dB, 6 dB, 10 dB, 20 dB and 30 dB

Specifications

- Frequency Range 75 - 110 GHz
- VSWR 1.15:1 Typical
- Impedence 50 Ohms
- Power 0.3 Watt
- Length 1.0 Inch
- Attenuation 6 dB (Accuracy = 0.7 dB @ 4%)
- RF Ports WR-10 Waveguide with UG-387/U-M Flange

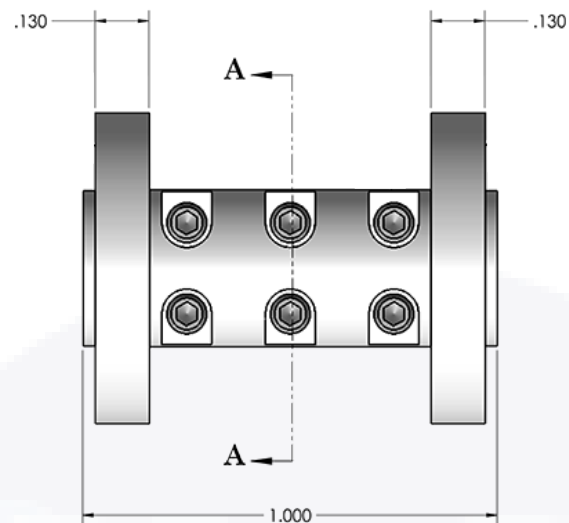
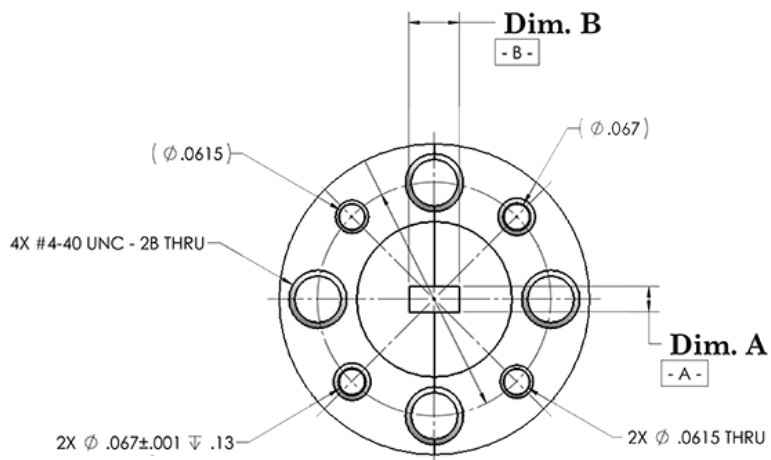
Environmental Data

- Temperature Range 0°C to +100°C

Material

- Waveguide 075-T6 Aluminum, Electroless Nickel Under-plate/Gold Plated
- Flange UG-387/U-M

To view online, go to: <https://www.hasco-inc.com/attenuators/6-db-wr-10-fixed-w-band-millimeter-waveguide-attenuator-operating-from-75-ghz-to-110-ghz-0-3-watts/>



| Part No. | Dim A | Dim B |
|---------------|-------------|-------------|
| HWFA10-XX-1.0 | 0.050 ±.002 | 0.100 ±.002 |
| HWFA12-XX-1.0 | 0.061 ±.002 | 0.122 ±.002 |
| HWFA15-XX-1.0 | 0.074 ±.002 | 0.148 ±.002 |

To view online, go to: <https://www.hasco-inc.com/attenuators/6-db-wr-10-fixed-w-band-millimeter-waveguide-attenuator-operating-from-75-ghz-to-110-ghz-0-3-watts/>

| LTR | DESCRIPTION | DATE | APPR. | DRAWN BY: ABC | CHECKED BY: ABC |
|---------------------------------------|-------------|------|-------|--|-----------------|
| - | RELEASE | 1/19 | TAC | APPROVED BY: ABC | |
| | | | | THESE DRAWINGS AND SPECIFICATIONS ARE THE PROPERTY OF HASCO COMPONENTS AND SHALL NOT BE REPRODUCED, COPIED NOR USED - IN WHOLE OR IN PART - AS THE BASIS FOR THE MANUFACTURE OR SALE OF OTHER ITEMS WITHOUT THE EXPRESS, WRITTEN PERMISSION OF HASCO COMPONENTS. | |
| | | | | | |
| | | | | | |
| | | | | | |
| | | | | | |
| THIS DRAWING IS A CONTROLLED DOCUMENT | | | | | |



5214 Bonsai Street • Moorpark, CA 93021
 (888) 498-3242 • sales@hasco-inc.com
www.hasco-inc.com

| | | | |
|------------------------------|--|---------------|------------|
| MATERIALS: SEE DATA SHEET | CAGE CODE: 0T8L4 | SCALE: N/A | SIZE: A |
| FINISHES: SEE DATA SHEET | PART NO./DRAWING NO. HWFA10-06-1.0 | | REV: - |