

Part No:

# HWEB03-1-1-ER



## *WR-3 Millimeter Waveguide E-Bend Section, 1 Inch 220 GHz to 325 GHz,*



### Specifications

|                   |                                       |
|-------------------|---------------------------------------|
| • Frequency Range | 220 GHz to 325 GHz                    |
| • VSWR            | 1.04:1                                |
| • Impedance       | 50 Ohms                               |
| • Length          | 1 inch                                |
| • RF Ports        | WR-3 Waveguide with UG-387/U-M Flange |

### Environmental Data

|                     |           |
|---------------------|-----------|
| • Temperature Range | 220°C Max |
|---------------------|-----------|

### Material

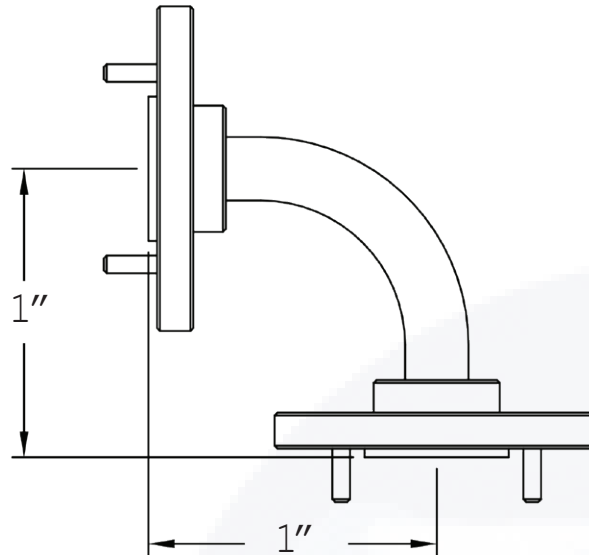
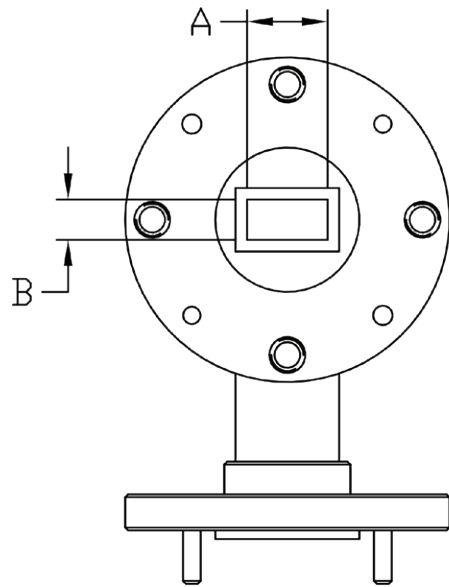
|             |                               |
|-------------|-------------------------------|
| • Waveguide | Silver                        |
| • Flange    | Round UG-387/U-M, Brass       |
| • Finish    | Gold Plated per MIL-DTL-45204 |

The HASCO WR-3 Millimeter Waveguide E-Bend Section **HWEB03-1-1-ER** operates from 220 GHz to 325 GHz. This WR-3, waveguide section is constructed with a Round UG-387/U-M Flange.

HASCO rectangular waveguides are manufactured from brass, OFHC copper, aluminum or coin silver. Waveguides have significant advantages over coaxial transmission in power handling, insertion loss and signal integrity (leakage and electromagnetic interference - EMI).

HASCO offers a series of millimeter waveguide straight sections, E-Bends, H-Bends and 90° Twists. Anti-cocking flanges available if required. All are available in standard and custom lengths covering the waveguide sizes WR-3, WR-4, WR-5, WR-6, WR-8, WR-10, WR-12, WR-15, WR-19, WR-22, WR-28, WR-34 and WR-42. Square waveguide flanges are available in WR-22, WR-28, WR-34 and WR-42. Please contact HASCO for custom options.

To view online, go to: <https://www.hasco-inc.com/waveguide-components/wr-3-millimeter-waveguide-e-bend-1-inch-section-220-ghz-to-325-ghz/>



| Part Number   | WG Size | DIM A | DIM B  |
|---------------|---------|-------|--------|
| HWEB22-X-X-ER | WR-22   | 0.224 | 0.112  |
| HWEB19-X-X-ER | WR-19   | 0.188 | 0.094  |
| HWEB15-X-X-ER | WR-15   | 0.148 | 0.074  |
| HWEB12-X-X-ER | WR-12   | 0.122 | 0.061  |
| HWEB10-X-X-ER | WR-10   | 0.100 | 0.050  |
| HWEB08-X-X-ER | WR-08   | 0.080 | 0.040  |
| HWEB06-X-X-ER | WR-06   | 0.065 | 0.0325 |
| HWEB05-X-X-ER | WR-05   | 0.051 | 0.0255 |
| HWEB04-X-X-ER | WR-04   | 0.043 | 0.0215 |
| HWEB03-X-X-ER | WR-03   | 0.034 | 0.017  |

To view online, go to: <https://www.hasco-inc.com/waveguide-components/wr-3-millimeter-waveguide-e-bend-1-inch-section-220-ghz-to-325-ghz/>

| LTR                                   | DESCRIPTION | DATE  | APPR. | CREATED BY: JMS  | CHECKED BY: TAC |
|---------------------------------------|-------------|-------|-------|--|-----------------|
| -                                     | RELEASE     | 11/19 | TAC   | APPROVED BY: TAC   |                 |
|                                       |             |       |       | THESE DRAWINGS AND SPECIFICATIONS ARE THE PROPERTY OF HASCO COMPONENTS AND SHALL NOT BE REPRODUCED, COPIED NOR USED - IN WHOLE OR IN PART - AS THE BASIS FOR THE MANUFACTURE OR SALE OF OTHER ITEMS WITHOUT THE EXPRESS, WRITTEN PERMISSION OF HASCO COMPONENTS. |                 |
|                                       |             |       |       |  |                 |
|                                       |             |       |       |  |                 |
|                                       |             |       |       |  |                 |
|                                       |             |       |       |  |                 |
| THIS DRAWING IS A CONTROLLED DOCUMENT |             |       |       |  |                 |



5214 Bonsai Street • Moorpark, CA 93021  
 (888) 498-3242 • sales@hasco-inc.com  
[www.hasco-inc.com](http://www.hasco-inc.com)

|                              |  |               |            |
|------------------------------|--|---------------|------------|
| MATERIALS:<br>SEE DATA SHEET | CAGE CODE:<br>0T8L4                          | SCALE:<br>N/A | SIZE:<br>A |
| FINISHES:<br>SEE DATA SHEET  | PART NO./DRAWING NO.<br><b>HWEB03-1-1-ER</b> |               | REV:<br>-  |