

Part No:

HWHB28-1-1-ES



WR-28 Millimeter Waveguide H-Bend Section, 1 Inch, Ka-Band - 26.5 to 40 GHz



The HASCO WR-28 Millimeter Waveguide H-Bend Section **HWHB28-1-1-ES** operates from 26.5 GHz to 40 GHz. This WR-28, Ka-Band waveguide straight section is constructed with a Square UG-599/U Flange.

HASCO rectangular waveguides are manufactured from brass, OFHC copper, aluminum or coin silver. Waveguides have significant advantages over coaxial transmission in power handling, insertion loss and signal integrity (leakage and electromagnetic interference - EMI).

HASCO offers a series of millimeter waveguide straight sections, E-Bends, H-Bends and 90° Twists. Anti-cocking flanges available if required. All are available in standard and custom lengths covering the waveguide sizes WR-3, WR-4, WR-5, WR-6, WR-8, WR-10, WR-12, WR-15, WR-19, WR-22, WR-28, WR-34 and WR-42. Square waveguide flanges are available in WR-22, WR-28, WR-34 and WR-42. Please contact HASCO for custom options.

Electrical

• Impedance	50 Ω
• Frequency Range	26.5 - 40 GHz
• VSWR	1.02:1
• Length	1 inch
• Waveguide	WR-28
• Flange	Square UG-599/U

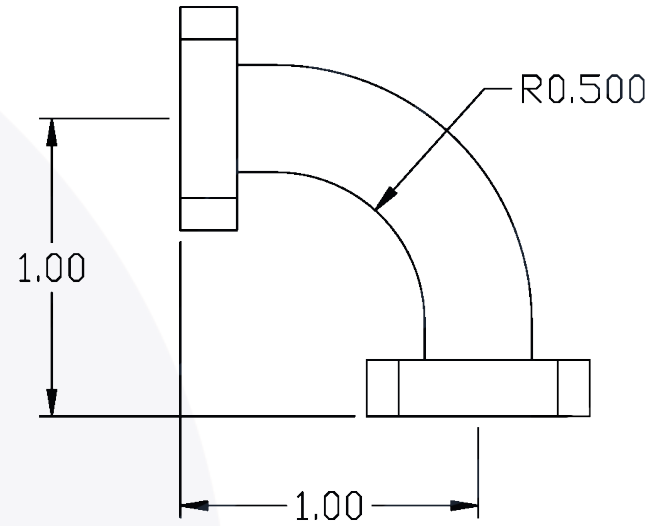
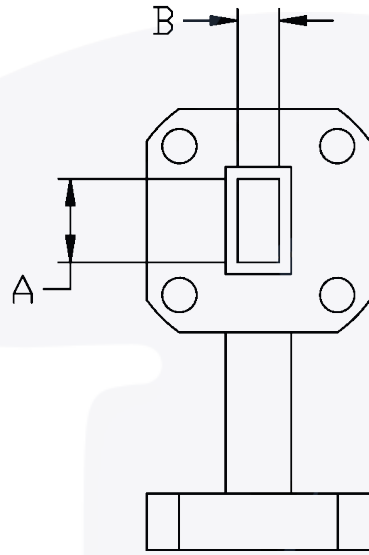
Environmental

• Temperature Range	220°C Max
---------------------	-----------

Material

• Waveguide	OFHC Copper
• Flange	Brass
• Finish	Gold plated PER MIL-DTL-45206

WR-28 Millimeter Waveguide H-Bend Section, 1 Inch, Ka-Band | 26.5 - 40 GHz | Outline Drawing



Part Number	WG Size	DIM A	DIM B
HWHB42-X-X-ES	WR-42	0.420	0.170
HWHB34-X-X-ES	WR-34	0.340	0.170
HWHB28-X-X-ES	WR-28	0.280	0.140

LTR	DESCRIPTION	DATE	APPR.	DRAWN BY: NS	REVIEWED BY: JS
-	RELEASE	8/19	TC		APPROVED BY: TC
A	DRAWING UPDATE	3/25	TC	THESE DRAWINGS AND SPECIFICATIONS ARE THE PROPERTY OF HASCO COMPONENTS AND SHALL NOT BE REPRODUCED, COPIED NOR USED - IN WHOLE OR IN PART - AS THE BASIS FOR THE MANUFACTURE OR SALE OF OTHER ITEMS WITHOUT THE EXPRESS, WRITTEN PERMISSION OF HASCO COMPONENTS.	
THIS DRAWING IS A CONTROLLED DOCUMENT					



5214 Bonsai Avenue • Moorpark, CA 93021
 (888) 498-3242 • sales@hasco-inc.com
www.hasco-inc.com

MATERIALS: SEE DATA SHEET	CAGE CODE: OT8L4	SCALE: N/A	SIZE: A
FINISHES: SEE DATA SHEET	PART NO./DRAWING NO. HWHB28-1-1-ES		REV: A