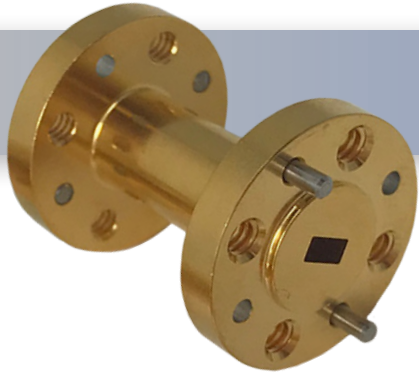


Part No:

HWSS10-1.0-ER



WR-10 Millimeter Waveguide Section, 1.0 Inch 75 GHz to 110 GHz, W-Band

Specifications

- Frequency Range 75 - 110 GHz
- VSWR 1.05:1 Typical
- Power Rating 1,000 Watts Max
- Length 1 inch
- RF Ports WR-10 Waveguide with UG-387/U-M Flange

Environmental Data

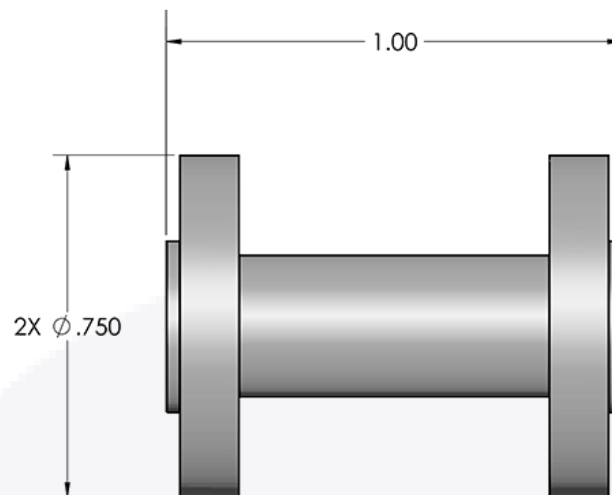
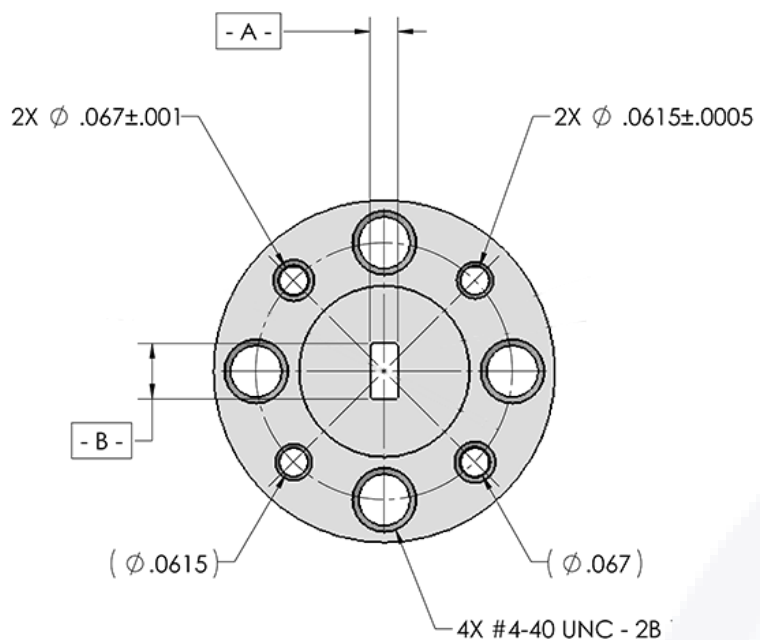
- Temperature Range 0°C to +100°C

Material

- Waveguide 075-T6 Aluminum, Electroless Nickel Under-plate/Gold Plated
- Flange UG-387/U-M

The HASCO WR-10 Millimeter Waveguide Section **HWSS10-1.0-ER** operates from 75 GHz to 110 GHz. This WR-10, W-Band straight section is constructed with a round UG-387/U-M Flange.

HASCO offers a series of rectangular millimeter waveguide straight sections, as well as E-Bends, H-Bends and 45° and 90° Twists. All are available in standard and custom lengths covering the waveguide sizes WR-3, WR-5, WR-6, WR-8, WR-10, WR-12, WR-15, WR-19, WR-22, WR-28, WR-34 and WR-42.



Part No.	Dim A	Dim B
HWSS10-XX-ER	$0.050 \pm .002$	$0.100 \pm .002$
HWSS12-XX-ER	$0.061 \pm .002$	$0.122 \pm .002$
HWSS15-XX-ER	$0.074 \pm .002$	$0.148 \pm .002$

LTR	DESCRIPTION	DATE	APPR.	DRAWN BY: <i>JMS</i>	CHECKED BY: <i>AC</i>
-	RELEASE	12/16	TAC	APPROVED BY: <i>TAC</i>	
A	MATERIAL and POWER UPDATE	07/22	TAC	THESE DRAWINGS AND SPECIFICATIONS ARE THE PROPERTY OF HASCO COMPONENTS AND SHALL NOT BE REPRODUCED, COPIED NOR USED - IN WHOLE OR IN PART - AS THE BASIS FOR THE MANUFACTURE OR SALE OF OTHER ITEMS WITHOUT THE EXPRESS, WRITTEN PERMISSION OF HASCO COMPONENTS.	
THIS DRAWING IS A CONTROLLED DOCUMENT					



5214 Bonsai Street • Moorpark, CA 93021
 (888) 498-3242 • sales@hasco-inc.com
www.hasco-inc.com

MATERIALS: SEE DATA SHEET	CAGE CODE: 0T8L4	SCALE: N/A	SIZE: A
FINISHES: SEE DATA SHEET	PART NO./DRAWING NO. HWSS10-1.0-ER		REV: A