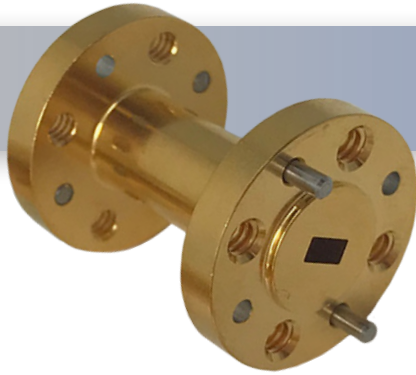


Part No:

# HWSS12-1.0-ER



## *WR-12 Millimeter Waveguide Section, 1.0 Inch 60 GHz to 90 GHz, E-Band*

The HASCO WR-12 Millimeter Waveguide Section **HWSS12-1.0-ER** operates from 60 GHz to 90 GHz. This WR-12, E-Band straight section is constructed with a round UG-387/U Flange.

HASCO offers a series of rectangular millimeter waveguide straight sections, as well as E-Bends, H-Bends and 45° and 90° Twists. All are available in standard and custom lengths covering the waveguide sizes WR-3, WR-5, WR-6, WR-8, WR-10, WR-12, WR-15, WR-19, WR-22, WR-28, WR-34 and WR-42.

### Specifications

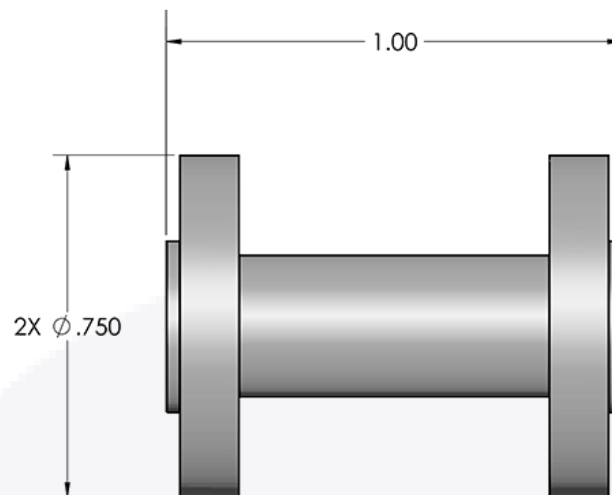
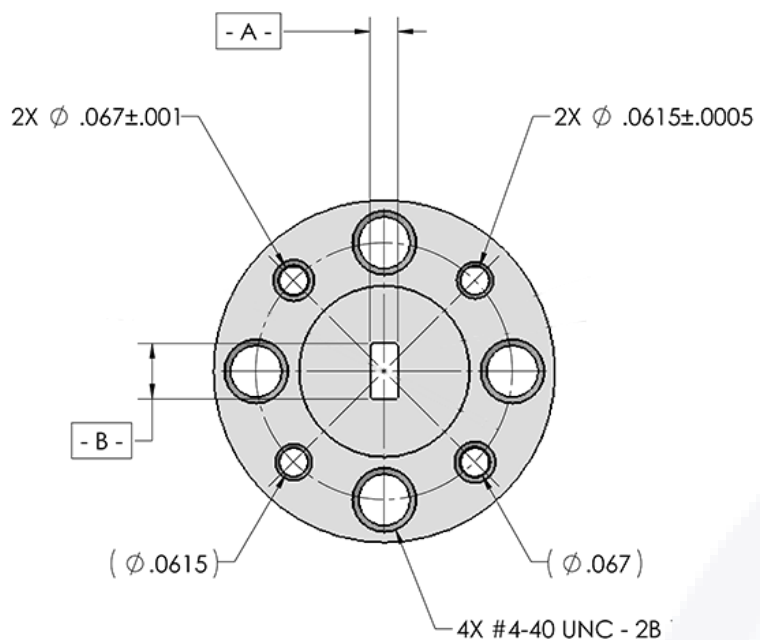
• Frequency Range	60 - 90 GHz
• VSWR	1.05:1 Typical
• Power Rating	1,000 Watts Max
• Length	1 inch
• RF Ports	WR-12 Waveguide with UG-387/U Flange

### Environmental Data

• Temperature Range	0°C to +100°C
---------------------	---------------

### Material

• Waveguide	075-T6 Aluminum, Electroless Nickel Under-plate/Gold Plated
• Flange	UG-387/U



Part No.	Dim A	Dim B
HWSS10-XX-ER	0.050 ±.002	0.100 ±.002
HWSS12-XX-ER	0.061 ±.002	0.122 ±.002
HWSS15-XX-ER	0.074 ±.002	0.148 ±.002

LTR	DESCRIPTION	DATE	APPR.	DRAWN BY: JMS	CHECKED BY: AC
-	RELEASE	12/16	TAC	APPROVED BY: TAC	
A	MATERIAL and POWER UPDATE	07/22	TAC	THESE DRAWINGS AND SPECIFICATIONS ARE THE PROPERTY OF HASCO COMPONENTS AND SHALL NOT BE REPRODUCED, COPIED NOR USED - IN WHOLE OR IN PART - AS THE BASIS FOR THE MANUFACTURE OR SALE OF OTHER ITEMS WITHOUT THE EXPRESS, WRITTEN PERMISSION OF HASCO COMPONENTS.	
THIS DRAWING IS A CONTROLLED DOCUMENT					



5214 Bonsai Street • Moorpark, CA 93021  
 (888) 498-3242 • sales@hasco-inc.com  
[www.hasco-inc.com](http://www.hasco-inc.com)

MATERIALS: SEE DATA SHEET	CAGE CODE: 0T8L4	SCALE: N/A	SIZE: A
FINISHES: SEE DATA SHEET	PART NO./DRAWING NO. <b>HWSS12-1.0-ER</b>		REV: A