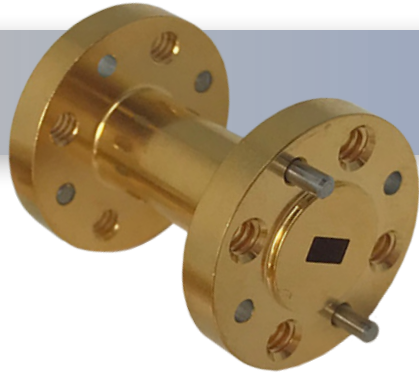


Part No:

HWSS15-1.0-ER



WR-15 Millimeter Waveguide Section, 1.0 Inch 50 GHz to 75 GHz, V-Band

The HASCO WR-15 Millimeter Waveguide Section **HWSS15-1.0-ER** operates from 50 GHz to 75 GHz. This WR-15, V-Band straight section is constructed with a round UG-385/U Flange.

HASCO offers a series of rectangular millimeter waveguide straight sections, as well as E-Bends, H-Bends and 45° and 90° Twists. All are available in standard and custom lengths covering the waveguide sizes WR-3, WR-5, WR-6, WR-8, WR-10, WR-12, WR-15, WR-19, WR-22, WR-28, WR-34 and WR-42.

Specifications

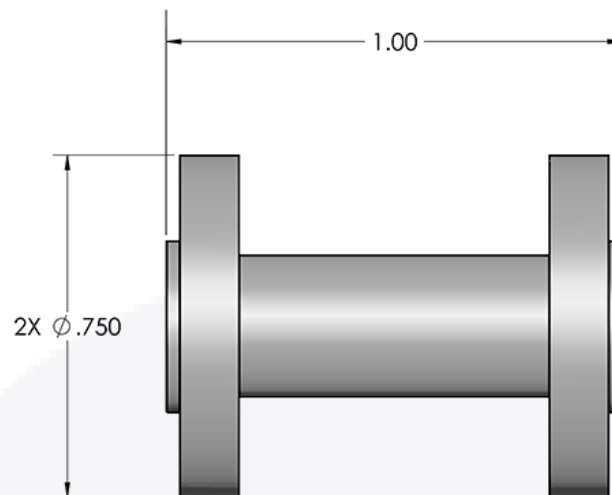
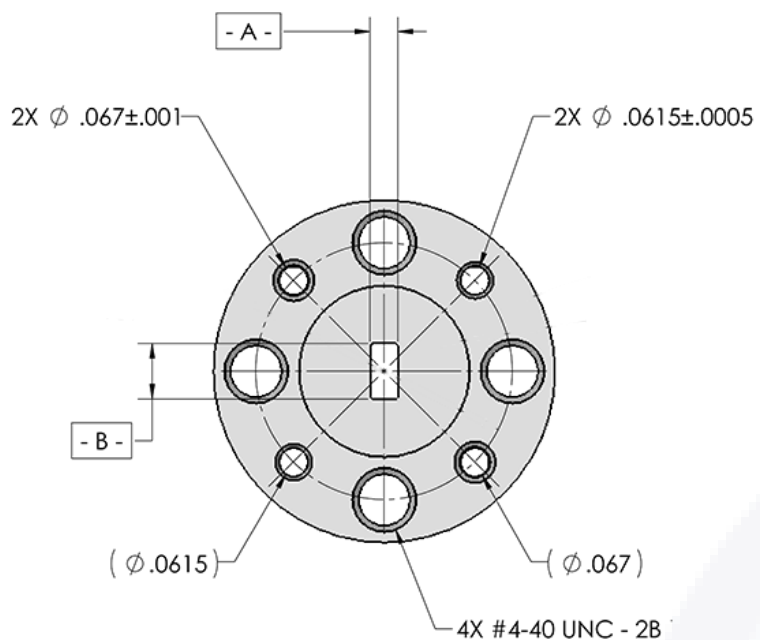
- Frequency Range 50 - 75 GHz
- VSWR 1.05:1 Typical
- Power Rating 1,000 Watts Max
- Length 1 inch
- RF Ports WR-15 Waveguide with UG-385/U Flange

Environmental Data

- Temperature Range 0°C to +100°C

Material

- Waveguide 075-T6 Aluminum, Electroless Nickel Under-plate/Gold Plated
- Flange UG-385/U



Part No.	Dim A	Dim B
HWSS10-XX-ER	0.050 ±.002	0.100 ±.002
HWSS12-XX-ER	0.061 ±.002	0.122 ±.002
HWSS15-XX-ER	0.074 ±.002	0.148 ±.002

LTR	DESCRIPTION	DATE	APPR.	DRAWN BY: <i>JMS</i>	CHECKED BY: <i>AC</i>
-	RELEASE	12/16	TAC	APPROVED BY: <i>TAC</i>	
A	MATERIAL and POWER UPDATE	07/22	TAC	THESE DRAWINGS AND SPECIFICATIONS ARE THE PROPERTY OF HASCO COMPONENTS AND SHALL NOT BE REPRODUCED, COPIED NOR USED - IN WHOLE OR IN PART - AS THE BASIS FOR THE MANUFACTURE OR SALE OF OTHER ITEMS WITHOUT THE EXPRESS, WRITTEN PERMISSION OF HASCO COMPONENTS.	
THIS DRAWING IS A CONTROLLED DOCUMENT					



5214 Bonsai Street • Moorpark, CA 93021
 (888) 498-3242 • sales@hasco-inc.com
www.hasco-inc.com

MATERIALS: SEE DATA SHEET	CAGE CODE: 0T8L4	SCALE: N/A	SIZE: A
FINISHES: SEE DATA SHEET	PART NO./DRAWING NO. HWSS15-1.0-ER		REV: A