

Part No:

HWLPT12-ER



*WR-12, Millimeter Waveguide, E-Band Termination
Rated to 0.3 Watts, 60 GHz to 90 GHz*

The HASCO WR-12 Millimeter Waveguide E-Band Termination **HWLPT12-ER** is rated to 0.3 Watts and operates from 60 GHz to 90 GHz. This WR-12, E-Band termination is constructed with a circular UG-387/U Flange.

A Millimeter Waveguide Termination is a passive RF device specifically designed to prevent RF signals from reflecting back from open-ended or unused waveguide ports. Millimeter Waveguide Terminations dissipate RF energy by producing heat energy. HASCO offers a series of rectangular waveguide terminations covering the waveguide sizes WR-10, WR-12, WR-15, WR-19, WR-22 AND WR-28..

Specifications

- Frequency Range 60-90 GHz
- VSWR 1.05:1 Typical
- Impedance 50 Ohms
- Power Dissipation 0.3 Watts Max
- Length 2 inch
- RF Ports WR-12 Waveguide with UG-387/U Flange

Environmental Data

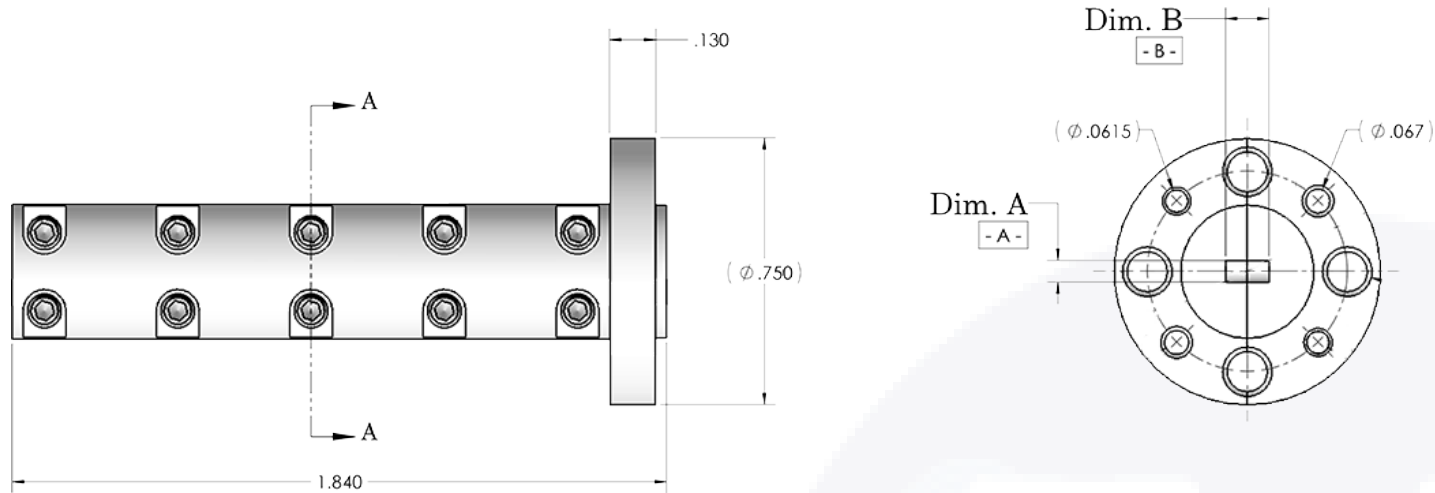
- Temperature Range 0°C to +100°C

Material

- Waveguide 075-T6 Aluminum, Electroless Nickel Under-plate/Gold Plated
- Flange UG-387/U


To view online, go to: <https://www.hasco-inc.com/millimeterwave/wr-12-millimeter-waveguide-load-termination-60-ghz-to-90-ghz-0-3-watts-e-band/>

HWLPT12-ER | 60 - 90 GHz | Outline Drawing



Part No.	Dim A	Dim B
HWLPT10-ER	0.050 ±.002	0.100 ±.002
HWLPT12-ER	0.061 ±.002	0.122 ±.002
HWLPT15-ER	0.074 ±.002	0.148 ±.002

To view online, go to: <https://www.hasco-inc.com/millimeterwave/wr-12-millimeter-waveguide-load-termination-60-ghz-to-90-ghz-0-3-watts-e-band/>

LTR	DESCRIPTION	DATE	APPR.	DRAWN BY: ABC	CHECKED BY: ABC		5214 Bonsai Street • Moorpark, CA 93021 (888) 498-3242 • sales@hasco-inc.com www.hasco-inc.com			
-	RELEASE	12/16	TAC	APPROVED BY: ABC						
				THESE DRAWINGS AND SPECIFICATIONS ARE THE PROPERTY OF HASCO COMPONENTS AND SHALL NOT BE REPRODUCED, COPIED NOR USED - IN WHOLE OR IN PART - AS THE BASIS FOR THE MANUFACTURE OR SALE OF OTHER ITEMS WITHOUT THE EXPRESS, WRITTEN PERMISSION OF HASCO COMPONENTS.			MATERIALS:	CAGE CODE:	SCALE:	SIZE:
							SEE DATA SHEET	OT8L4	N/A	A
							FINISHES:	PART NO./DRAWING NO.		REV:
							SEE DATA SHEET	HWLPT12-ER		-
THIS DRAWING IS A CONTROLLED DOCUMENT										