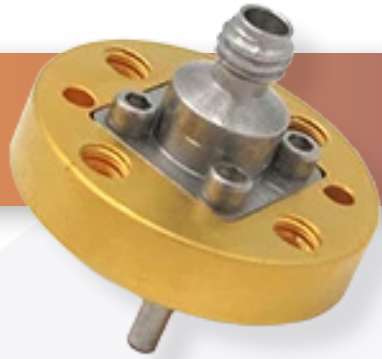


Part No:

HWCA-121F-EL



WR-12 to 1.0mm Female End Launch Waveguide to Coax Adapter, 60 - 90 GHz

Features

• RoHS Compliant 

The HASCO **HWCA-121F-EL** waveguide to coaxial adapter is manufactured for end-launch (straight) requirements. This adapter is designed for WR-12 waveguide and has a UG387/U compatible flange with a 1.0mm Female connector. A 1.0mm Male version is also available upon request.

This precision full-band coax-to-waveguide end launch adapter converts between TEM mode in coax and the 1.0mm connector to TE₁₀ mode in WR-12 waveguide. This adapter offers exceptionally low loss for an endlaunch configuration. The measurements show the loss and VSWR of two adapters measured back-to-back in a calibrated waveguide measurement system, which infers a loss for each adapter at half the measured value, and a VSWR of the square root of the measured back-to-back value. An outer rim based on the widely adopted ALMA recommendation form an anti-cocking flange that is backward compatible to the Mil-F-3922/67B standard. For test-and-measurement applications, our gold-plated solid brass body and stainless steel alignment pins ensure reliable gall-free mating over multiple mate and de-mate cycles.

Electrical

• Impedance	50 Ω
• Frequency Range	60 - 90 GHz
• VSWR	15 dB
• Insertion Loss	0.75 dB

Mechanical

• Flange	UG387/U
• Waveguide	WR-12

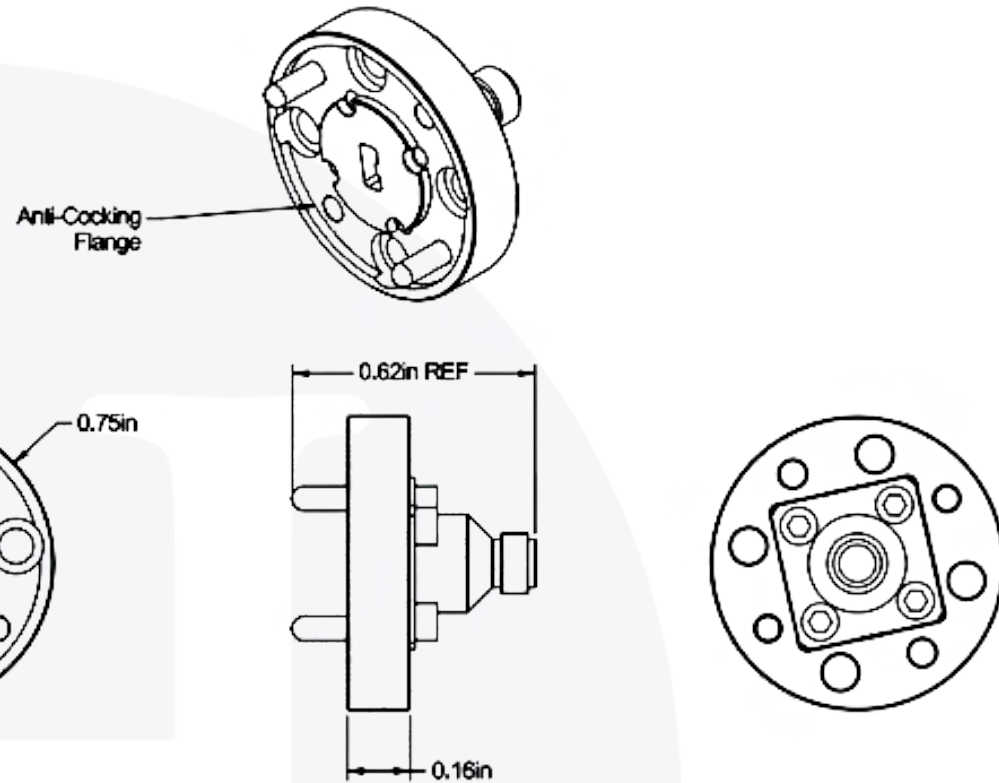
Environmental

• Temperature Range	-20°C to 50°C
---------------------	---------------

Material

• 1.0mm Connector Body	Passivated Stainless Steel
• 1.0mm Center Contact	Gold Plated BeCu
• Waveguide	Gold plated Brass / Gold plated Aluminum

WR-12 to 1.0mm Female Waveguide to Coax End Launch Adapter | 60 - 90 GHz | Outline Drawing



LTR	DESCRIPTION	DATE	APPR.	DRAWN BY: <i>NS</i>	REVIEWED BY: <i>JS</i>
-	RELEASE	9/20	TC		APPROVED BY: <i>TC</i>
A	SPEC/OUTLINE UPDATE	5/26	TC	THESE DRAWINGS AND SPECIFICATIONS ARE THE PROPERTY OF HASCO COMPONENTS AND SHALL NOT BE REPRODUCED, COPIED NOR USED - IN WHOLE OR IN PART - AS THE BASIS FOR THE MANUFACTURE OR SALE OF OTHER ITEMS WITHOUT THE EXPRESS, WRITTEN PERMISSION OF HASCO COMPONENTS.	
THIS DRAWING IS A CONTROLLED DOCUMENT					



5214 Bonsai Avenue • Moorpark, CA 93021
 (888) 498-3242 • sales@hasco-inc.com
www.hasco-inc.com

MATERIALS:
SEE DATA SHEET

CAGE CODE:
0T8L4

SCALE:
N/A

SIZE:
A

FINISHES:
SEE DATA SHEET

PART NO./DRAWING NO.

HWCA-121F-EL

REV:
A