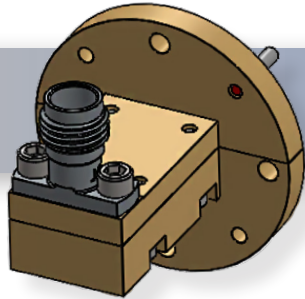


Part No:

# HWCA-2218F-RA



## *WR-22 to 1.85mm Female Precision Waveguide to Coax Adapter Right Angle Design, Q-Band - 33 GHz to 50 GHz*

The **HWCA-2218F-RA** is a precision WR-22 waveguide to 1.85mm coaxial adapter operating in Q-Band with a 33 GHz to 50 GHz frequency range. This adapter offers a robust design with Low VSWR and Low Insertion Loss with a UG-383/U flange.

HASCO waveguide to 1.85mm coaxial transitions are designed to provide enhanced RF performance, resulting in characteristics like low insertion loss and low VSWR. When selecting a waveguide to coaxial adapter, choosing the correct connector type, flange materials, flange types and flange profiles is essential to achieving your desired RF performance.

A waveguide to coaxial adapter is a coaxial cable component designed as a transition between a waveguide and a coax connector. Waveguides, true to their name, guide electromagnetic waves of a specific frequency range with the least loss of energy possible. Coaxial connectors are cables composed of at least three layers, including a tubular shield, a layer of insulation and a conductive material. A waveguide to coaxial adapter allows for electromagnetic waves with different modes to be coupled, and thus transforms waveguide transmission lines into coaxial lines or vice versa.

HASCO Components offers Waveguide to Coax Adapters in right angle and end-launch configurations. Go to <https://www.hascoinc.com/categories/adapters/adapters-waveguide.html> to view the entire line.

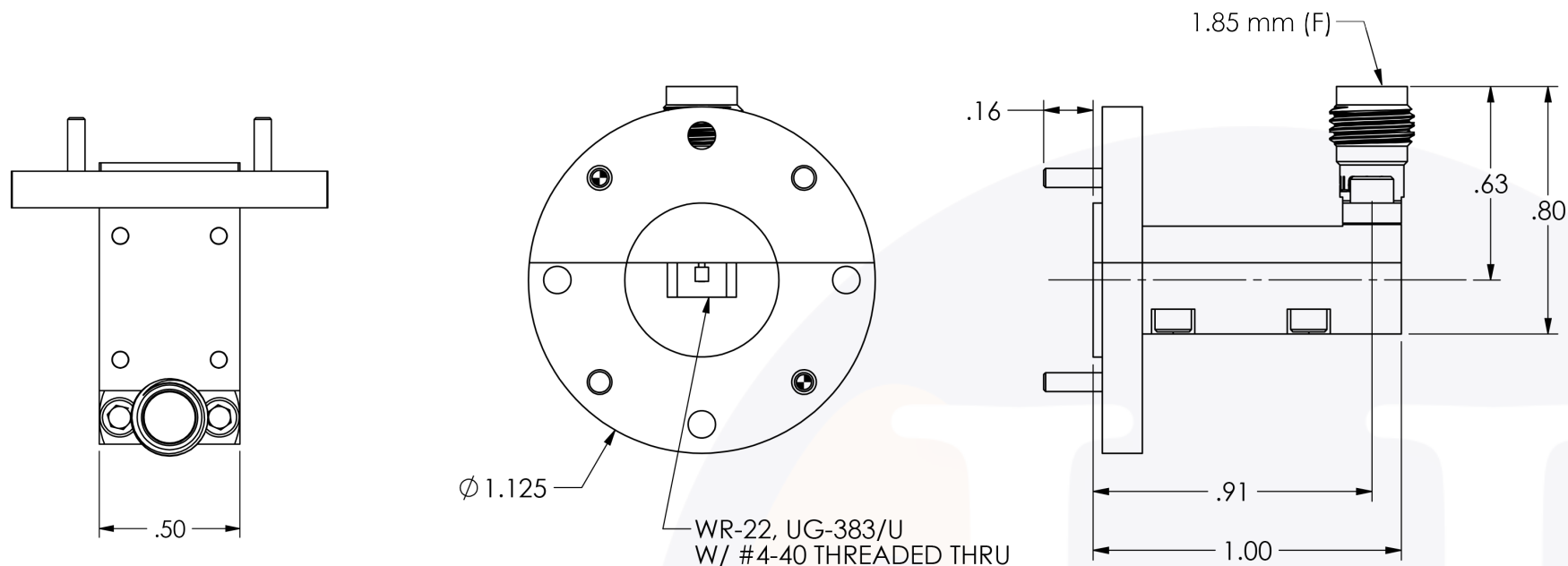
### Electrical


- |                   |              |
|-------------------|--------------|
| • Impedance       | 50 Ohms      |
| • Frequency Range | 33 to 50 GHz |
| • Waveguide       | WR-22        |

### Material

- |                            |                            |
|----------------------------|----------------------------|
| • Waveguide                | Gold plated Aluminum Alloy |
| • Flange                   | UG-383/U                   |
| • 1.85mm Connector         | Passivated Stainless Steel |
| • Connector Center Contact | Gold plated BeCu           |

Q-Band, WR-22 to 1.85mm Female Right Angle Waveguide to Coax Adapter | 33 - 50 GHz | Outline Drawing



LTR	DESCRIPTION	DATE	APPR.	DRAWN BY: NS	REVIEWED BY: JS	 <p>5214 Bonsai Street • Moorpark, CA 93021 (888) 498-3242 • sales@hasco-inc.com <a href="http://www.hasco-inc.com">www.hasco-inc.com</a></p>			
-	RELEASE	12/23	TC		APPROVED BY: TC				
				THESE DRAWINGS AND SPECIFICATIONS ARE THE PROPERTY OF HASCO COMPONENTS AND SHALL NOT BE REPRODUCED, COPIED NOR USED - IN WHOLE OR IN PART - AS THE BASIS FOR THE MANUFACTURE OR SALE OF OTHER ITEMS WITHOUT THE EXPRESS, WRITTEN PERMISSION OF HASCO COMPONENTS.		MATERIALS: <b>SEE DATA SHEET</b>	CAGE CODE: OT8L4	SCALE: N/A	SIZE: A
						FINISHES: SEE DATA SHEET	PART NO./DRAWING NO. <b>HWCA-2218F-RA</b>	REV: -	
THIS DRAWING IS A CONTROLLED DOCUMENT									