

Part No:

HWCA-75SF-RA-01



WR-75 to SMA Female Right Angle Waveguide to Coax Adapter, 10 - 15 GHz

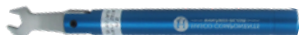
The HASCO HWCA-75SF-RA-01 waveguide to coaxial adapter is a right angle design that is machined out of aluminum for light weight requirements. The waveguide adapter utilizes a WR-75 cover flange interface and operates from 10 to 15 GHz to meet all WR-75 waveguide applications. The coax to waveguide adapter offers similar performance to copper and brass versions, but is lower cost due to materials and ease of machining. The coax interface uses a stainless steel SMA connector that operates to 18 GHz and will handle multiple mates and de-mates.

The HASCO HWCA-75SF-RA-01 is RoHS Compliant.



HASCO stocks an extensive selection of RF and Microwave between-series, waveguide, in-series, right angle and low PIM adapters.

The proper torque value is important for installation. The following HASCO torque wrenches [#HTW-516-08](#), 0.92 ± 0.05 NM [8.0 ± 0.4 in lbs] and [#HTW-516-05](#) @ 0.56 ± 0.02 NM [5 ± 0.2 in. lbs] available in stock.



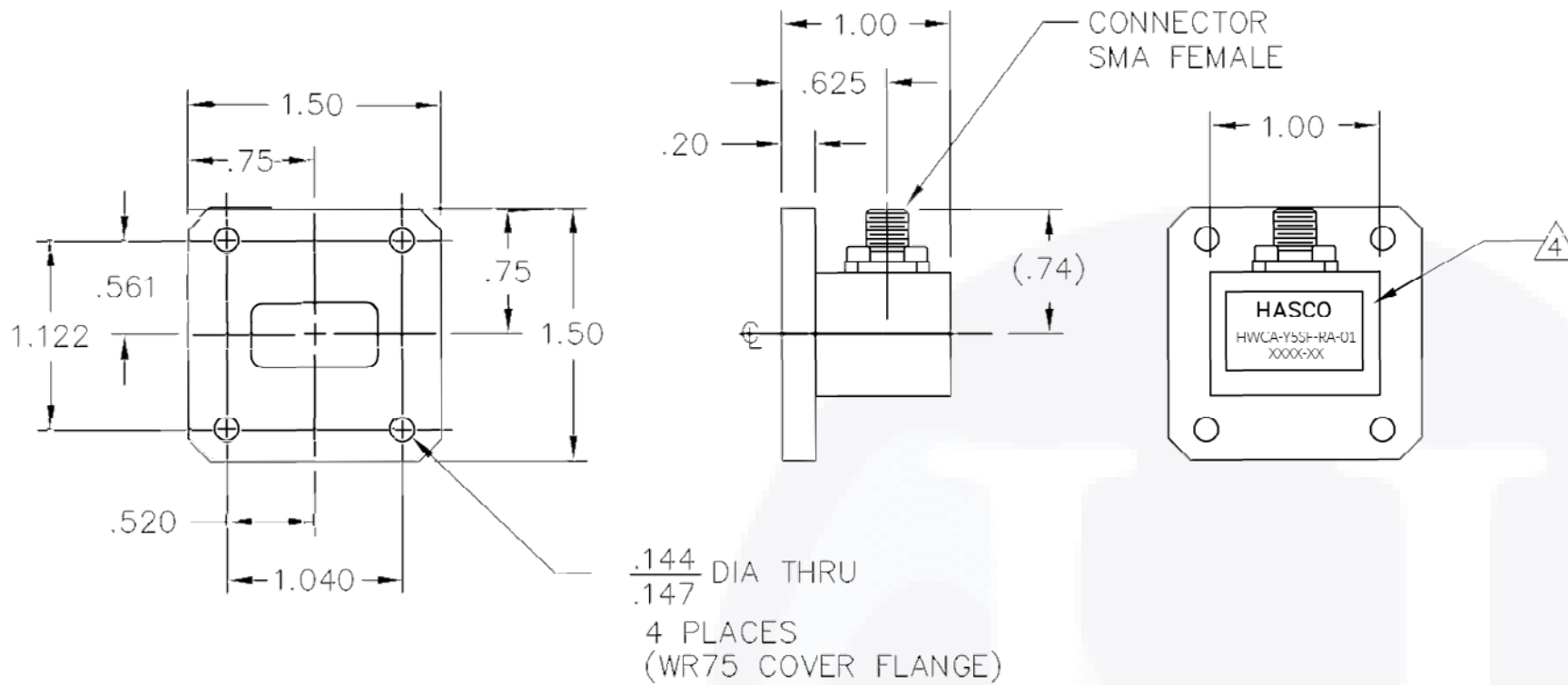
Electrical

- Impedance 50 Ohms
- Frequency Range 10 - 15 GHz
- VSWR 1.25:1 Max
- Insertion Loss 0.30 dB Typ.

Material

- Waveguide Type WR-75 Rectangular Flange
- Waveguide Material Aluminum Alloy
- Finish Clear Chemical Film
- SMA Body Passivated Stainless Steel
- SMA Center Contact Gold Plated BeCu
- SMA Dielectric PTFE

WR-75 to SMA Female Waveguide to Coax Right Angle Adapter | 10 ~ 15 GHz | Outline Drawing



LTR	DESCRIPTION	DATE	APPR.	DRAWN BY: JMS	CHECKED BY: JMS
-	RELEASE	9/20	TAC	APPROVED BY: TAC	
				THESE DRAWINGS AND SPECIFICATIONS ARE THE PROPERTY OF HASCO COMPONENTS AND SHALL NOT BE REPRODUCED, COPIED NOR USED - IN WHOLE OR IN PART - AS THE BASIS FOR THE MANUFACTURE OR SALE OF OTHER ITEMS WITHOUT THE EXPRESS, WRITTEN PERMISSION OF HASCO COMPONENTS.	
THIS DRAWING IS A CONTROLLED DOCUMENT					



5214 Bonsai Street • Moorpark, CA 93021
(888) 498-3242 • sales@hasco-inc.com
www.hasco-inc.com

MATERIALS: SEE DATA SHEET	CAGE CODE: OT8L4	SCALE: N/A	SIZE: A
FINISHES: SEE DATA SHEET	PART NO./DRAWING NO. HWCA-75SF-RA-01		REV: -