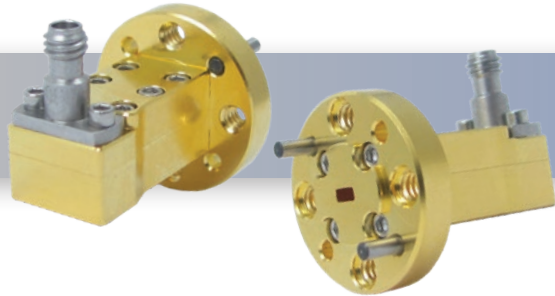


Part No:

HWCA-121F-RA



WR-12 to 1.0mm Female Precision Waveguide to Coax Adapter Right Angle Design, E Band, 60~90 GHz, UG-387/U Flange

The HWCA-121F-RA is a precision WR-12 waveguide to 1.0mm coaxial adapter operating in E Band with a 60 GHz to 90 GHz frequency range. This adapter offers a robust design with Low VSWR and Low Insertion Loss with a UG-387/U flange.

HASCO waveguide to 1.0mm coaxial transitions are designed to provide enhanced RF performance, resulting in characteristics like low insertion loss and low VSWR. When selecting a waveguide to coaxial adapter, choosing the correct connector type, flange materials, flange types and flange profiles is essential to achieving your desired RF performance.

A waveguide to coaxial adapter is a coaxial cable component designed as a transition between a waveguide and a coax connector. Waveguides, true to their name, guide electromagnetic waves of a specific frequency range with the least loss of energy possible. Coaxial connectors are cables composed of at least three layers, including a tubular shield, a layer of insulation and a conductive material. A waveguide to coaxial adapter allows for electromagnetic waves with different modes to be coupled, and thus transforms waveguide transmission lines into coaxial lines or vice versa.

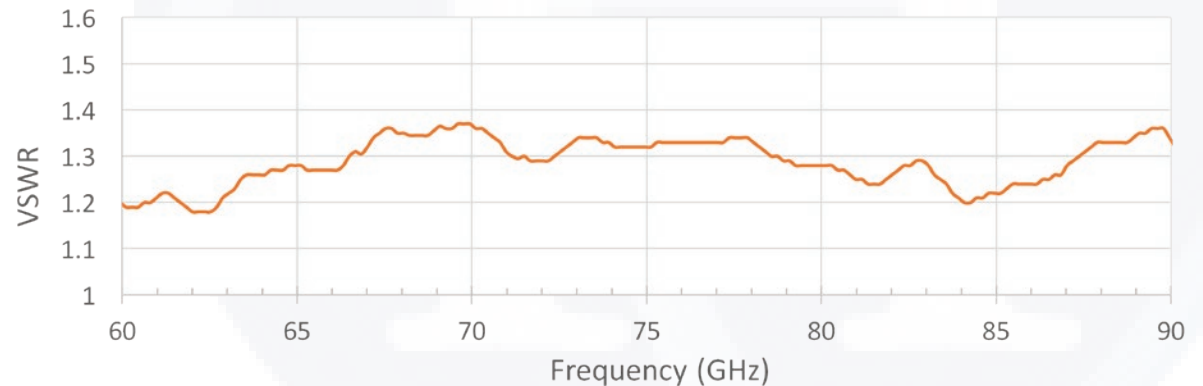
HASCO Components offers Waveguide to Coax Adapters in right angle and end-launch configurations. Go to <https://www.hasco-inc.com/categories/adapters/adapters-waveguide.html> to view the entire line.

Electrical

- Impedance 50 Ohms
- Frequency Range 60 ~ 90 GHz
- VSWR 1.4:1 Max
- Insertion Loss 0.75 Max
- Max Power 10 W (CW)

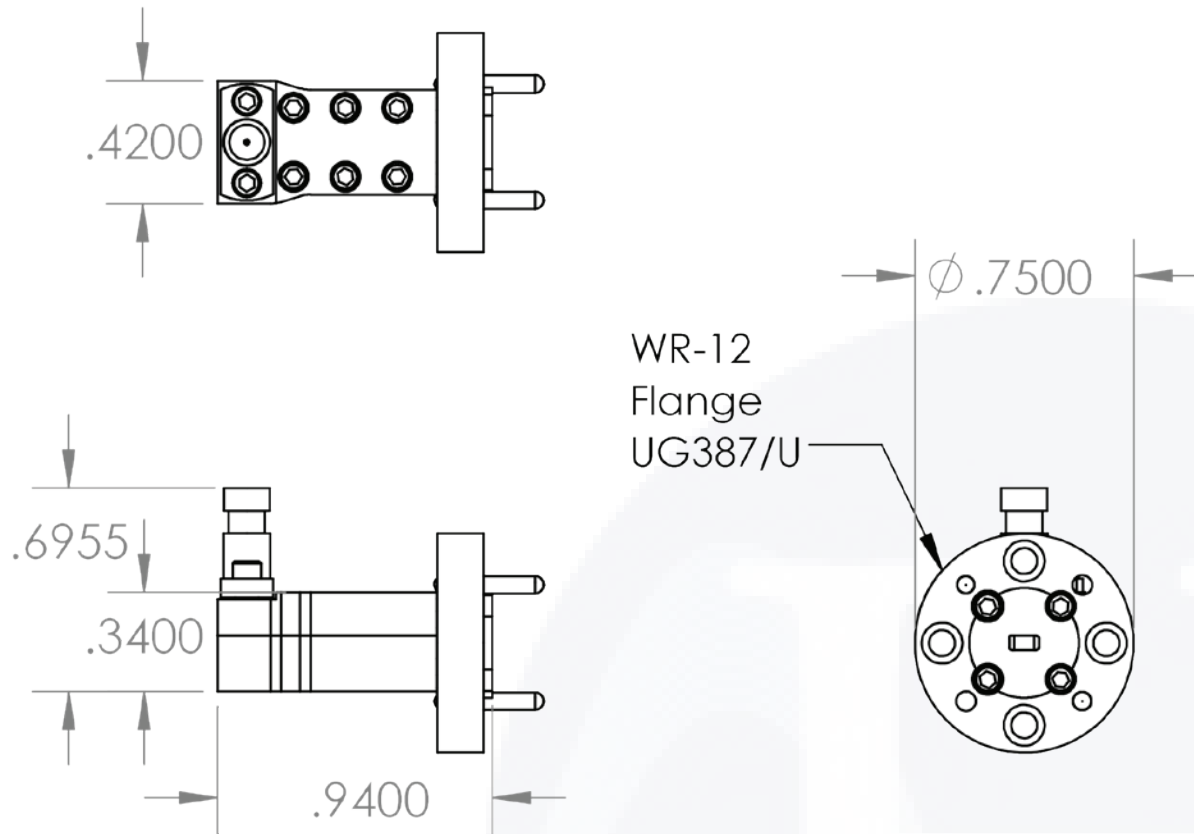
Material

- Waveguide Gold Plated Aluminum
- Flange WR-12, UG-387/U
- 1.0mm Connector Housing Passivated Stainless Steel
- 1.0mm Connector Center Contact Gold Plated BeCu




To view online, go to: <https://www.hasco-inc.com/adapters/adapters-waveguide/wr-12-to-1-0mm-female-precision-waveguide-to-coax-adapter-right-angle-design-60-ghz-to-90-ghz-ug387-u-flange/>

E Band, WR-12 to 1.0mm Right Angle Adapter | 60 ~ 90 GHz | Outline Drawing



To view online, go to: <https://www.hasco-inc.com/adapters/adapters-waveguide/wr-12-to-1-0mm-female-precision-waveguide-to-coax-adapter-right-angle-design-60-ghz-to-90-ghz-ug387-u-flange/>

LTR	DESCRIPTION	DATE	APPR.	DRAWN BY: ABC	CHECKED BY: ABC	 <p>5214 Bonsai Street • Moorpark, CA 93021 (888) 498-3242 • sales@hasco-inc.com www.hasco-inc.com</p>	
-	RELEASE	07/19	TAC	APPROVED BY: ABC			
				THESE DRAWINGS AND SPECIFICATIONS ARE THE PROPERTY OF HASCO COMPONENTS AND SHALL NOT BE REPRODUCED, COPIED NOR USED - IN WHOLE OR IN PART - AS THE BASIS FOR THE MANUFACTURE OR SALE OF OTHER ITEMS WITHOUT THE EXPRESS, WRITTEN PERMISSION OF HASCO COMPONENTS.			
				MATERIALS:	CAGE CODE:	SCALE:	SIZE:
				SEE DATA SHEET	OT8L4	N/A	A
				FINISHES:	PART NO./DRAWING NO.		REV:
				SEE DATA SHEET	HWCA-121F-RA		-
THIS DRAWING IS A CONTROLLED DOCUMENT							