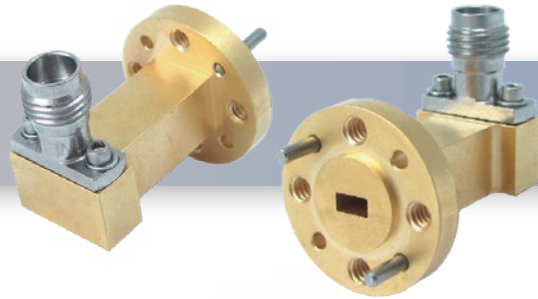


Part No:

HWCA-1518F-RAR



WR-15 to 1.85mm Female Waveguide to Coax Adapter, Right Angle Design, V Band, 50~67 GHz, UG-385/U Flange

The HWCA-1518F-RAR is a general purpose WR-15 waveguide to 1.85mm coaxial adapter operating in V Band from 50 GHz to 67 GHz. This adapter is constructed with a UG-385/U flange.

HASCO waveguide to 1.0mm coaxial transitions are designed to provide enhanced RF performance, resulting in characteristics like low insertion loss and low VSWR. When selecting a waveguide to coaxial adapter, choosing the correct connector type, flange materials, flange types and flange profiles is essential to achieving your desired RF performance.

A waveguide to coaxial adapter is a coaxial cable component designed as a transition between a waveguide and a coax connector. Waveguides, true to their name, guide electromagnetic waves of a specific frequency range with the least loss of energy possible. Coaxial connectors are cables composed of at least three layers, including a tubular shield, a layer of insulation and a conductive material. A waveguide to coaxial adapter allows for electromagnetic waves with different modes to be coupled, and thus transforms waveguide transmission lines into coaxial lines or vice versa.

HASCO Components offers Waveguide to Coax Adapters in right angle and end-launch configurations. Go to <https://www.hasco-inc.com/categories/adapters/adapters-waveguide.html> to view the entire line.

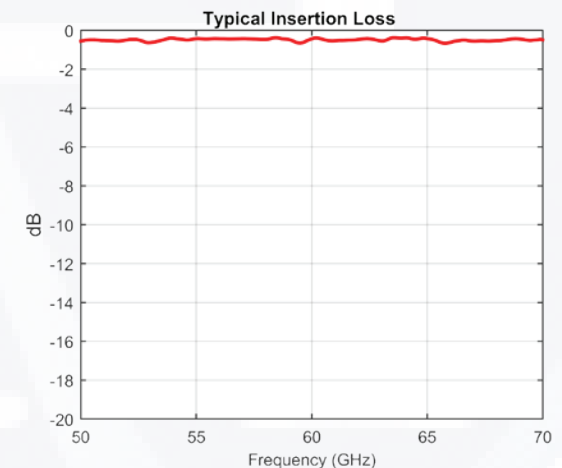
To view online, go to: <https://www.hasco-inc.com/adapters/adapters-waveguide/wr-15-to-1-85mm-female-waveguide-to-coax-adapter-right-angle-design-50-ghz-to-67-ghz-ug385-u-flange/>

Electrical

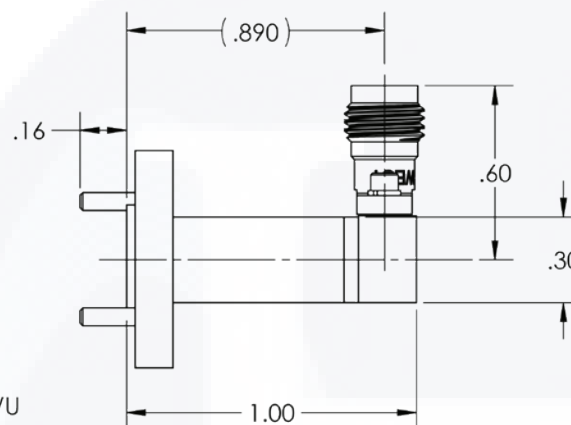
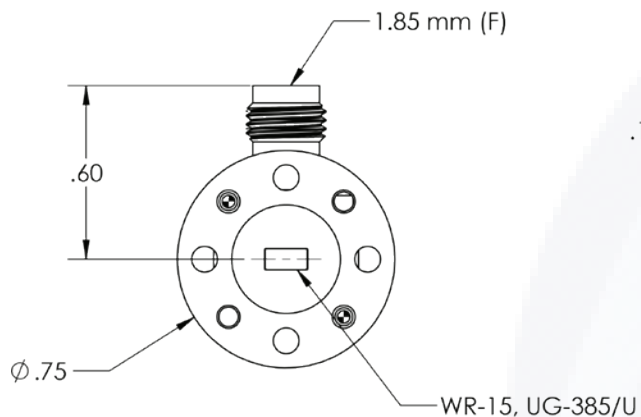
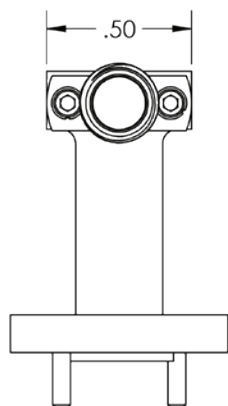
- Impedence 50 Ohms
- Frequency Range 50 ~ 67 GHz
- VSWR 1.4:1 Max
- Insertion Loss 0.5 dB Typ
- Return Loss 15.6 dB Typ
- Max Power 30 W (CW) Max

Material


- Waveguide Gold Plated Aluminum
- Flange WR-15, UG-385/U
- 1.0mm Connector Housing Passivated Stainless Steel
- 1.0mm Connector Center Contact Gold Plated BeCu



V Band, WR-15 to 1.85mm Right Angle Adapter | 50 ~ 67 GHz | Outline Drawing



To view online, go to: <https://www.hasco-inc.com/adapters/adapters-waveguide/wr-15-to-1-85mm-female-waveguide-to-coax-adapter-right-angle-design-50-ghz-to-67-ghz-ug385-u-flange/>

LTR	DESCRIPTION	DATE	APPR.	DRAWN BY: ABC	CHECKED BY: ABC		5214 Bonsai Street • Moorpark, CA 93021 (888) 498-3242 • sales@hasco-inc.com www.hasco-inc.com		
-	RELEASE	07/19	TAC	APPROVED BY: ABC					
				THESE DRAWINGS AND SPECIFICATIONS ARE THE PROPERTY OF HASCO COMPONENTS AND SHALL NOT BE REPRODUCED, COPIED NOR USED - IN WHOLE OR IN PART - AS THE BASIS FOR THE MANUFACTURE OR SALE OF OTHER ITEMS WITHOUT THE EXPRESS, WRITTEN PERMISSION OF HASCO COMPONENTS.		MATERIALS:	CAGE CODE:	SCALE:	SIZE:
						SEE DATA SHEET	0T8L4	N/A	A
						FINISHES:	PART NO./DRAWING NO.		REV:
						SEE DATA SHEET	HWCA-1518F-RAR		-
THIS DRAWING IS A CONTROLLED DOCUMENT									